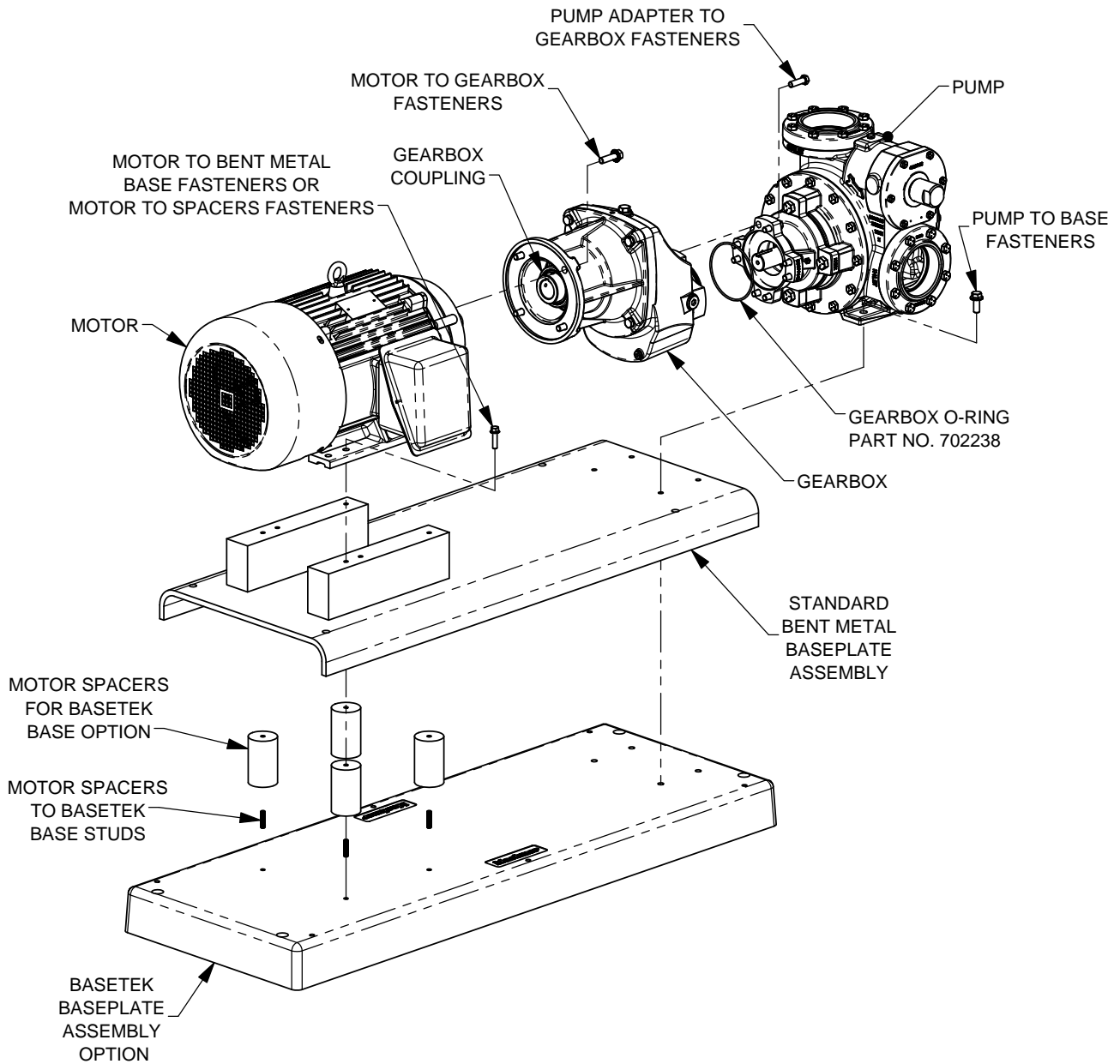




TYPE	SIZE	UNIT STYLE
GNX(H)	4	SK9

DIMENSIONS 011-047	
Section Effective Replaces Page 1 / 1	011 OCT 2019 SEPT 2019



**4" GNX, GNXH MODELS**

	BENT METAL BASE	BASETEK BASE OPTION	
	BENT METAL BASEPLATE ASSEMBLY - INCLUDES FASTENERS	BASETEK BASEPLATE ASSEMBLY OPTION - INCLUDES FASTENERS, MOTOR SPACERS AND STUDS	MOTOR TO GEARBOX FASTENERS
QTY	1X	1X	4X
213TC	905724	N/A	920954
215TC		905764	
254TC	905725	905745	920954
256TC		905765	
284TC	905726	905746	920494
286TC		905766	
324TC	905727	905747	920645
326TC		905767	

**GEARBOX COUPLINGS**

PART NUMBER	DESCRIPTION
906522	SK971.1 210TC
906524	SK971.1 250TC
906525	SK971.1 280TC
906526	SK971.1 320TC

**GEARBOX PART NUMBERS**

RATIO	210TC	250TC	280TC	320TC
2.86	N/A	812510	812511	812512
3.31	N/A	812520	812521	812522
4.04	N/A	812530	812531	812532
5.00	812540	812541	812542	N/A
5.50	812550	812551	812552	N/A
6.00	812560	812561	812562	N/A
6.82	812570	812571	N/A	N/A