

BLACKMER PARTS LIST

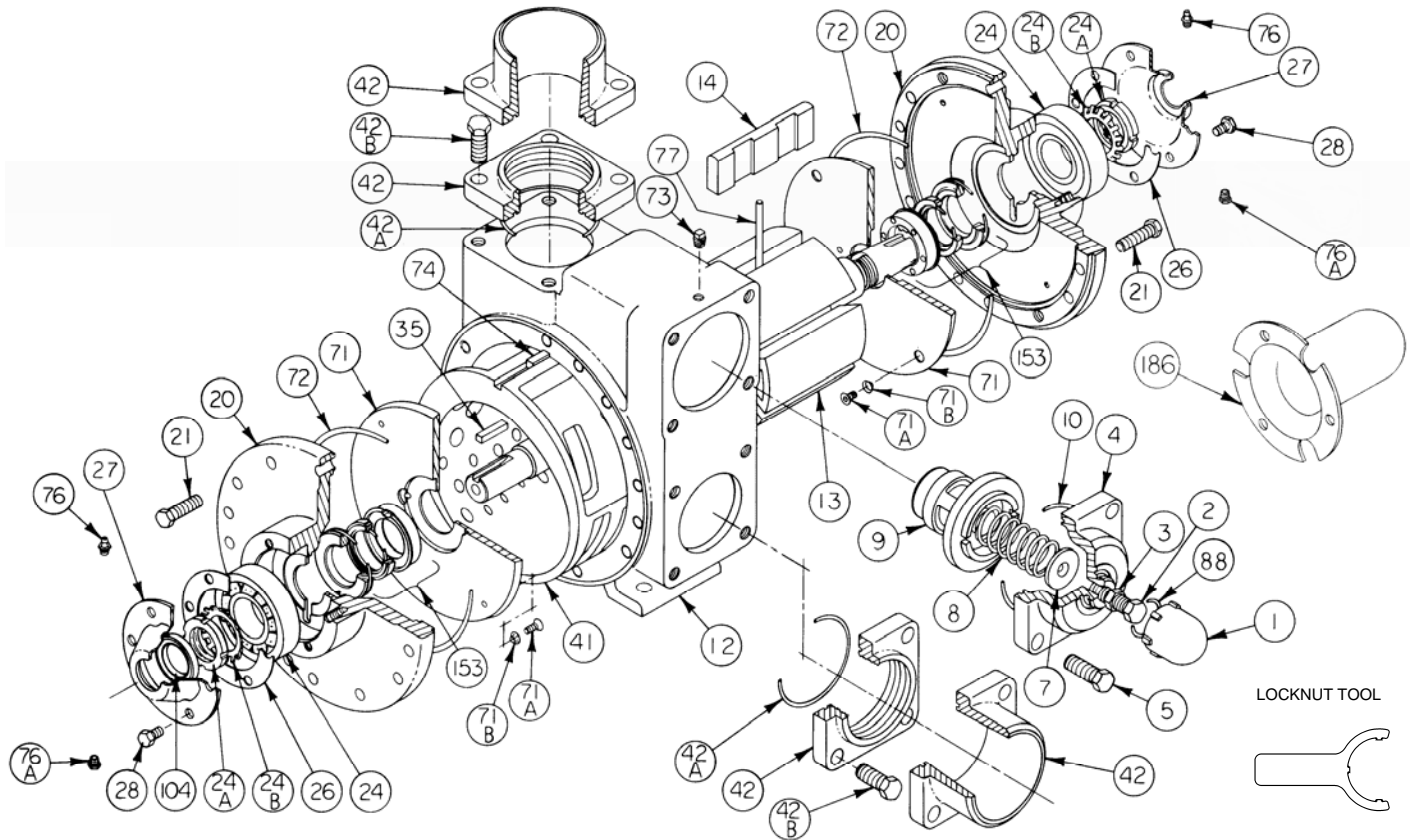
PUMP MODEL: LGLD4B

962007
Page 1 of 2

PARTS LIST
501-E01

Keep with Instructions 501-E00 for Installation, Operation and Maintenance

Section 501
Effective Jun 2011
Replaces Jan 2010



| Ref. No. | Description | Parts Per Pump | Part No. | Ref. No. | Description | Parts Per Pump | Part No. |
|----------|---|----------------|---------------------|----------|-------------------------------|----------------|---------------------|
| 1 | Cap - Relief Valve (R/V) | 1 | 413957 | 41 | Liner | 1 | ² 182000 |
| 2 | Adjusting Screw - R/V | 1 | 436310 | 42 | Flange - 3" NPT | 1 - 2 | 652012 |
| 3 | Locknut - Adjusting Screw | 1 | 432039 | | Flange - 3" Weld | | 652007 |
| 4 | Cover - R/V | 1 | 412001 | | Flange - 4" Weld | | 652005 |
| 5 | Capscrew - R/V Cover | 4 | 920663 | 42A | O-Ring - NPT, Weld Flange | 2 | ¹ 701937 |
| 7 | Spring Guide - R/V | 1 | 426355 | 42B | Capscrew - NPT Flange | 8 | 920663 |
| 8 | Spring - R/V | 1 | ¹ 472039 | | Capscrew - Weld Flange | | 920640 |
| 9 | Valve - R/V | 1 | 452001 | 71 | Disc | 2 | ¹ 062039 |
| 10 | O-Ring - R/V Cover | 1 | ¹ 701946 | 71A | Machine Screw - Disc | 8 | ² 920015 |
| 12 | Casing | 1 | 012019 | 71B | Lockwasher - Machine Screw | 8 | ² 909634 |
| 13 | Rotor & Shaft Assy, Dbl. End (Includes Ref. No. 24A & 24B) | 1 | ² 262041 | 72 | O-Ring - Head | 2 | ¹ 702039 |
| 14 | Vane - Duravane | 6 | ¹ 092019 | 73 | Gage Plug | 2 | 908198 |
| 20 | Head | 2 | 032041 | 74 | Key - Liner | 1 | ² 182040 |
| 21 | Capscrews - Head | 28 | 920532 | 76 | Grease Fitting | 2 | 317815 |
| 24 | Ball Bearing | 2 | ¹ 903166 | 76A | Grease Relief Fitting | 2 | 701992 |
| 24A | Locknut - Bearing | 2 | ² 903541 | 77 | Push Rod - composite - LGLD4B | 3 | ¹ 122009 |
| 24B | Lockwasher - Bearing | 2 | ¹ 903542 | 88 | O-Ring - R/V Cap | 1 | ¹ 701926 |
| 26 | Gasket - Bearing Cover | 2 | ¹ 385125 | 104 | Grease Seal - LGLD4B | 2 | ¹ 331908 |
| 27 | Bearing Cover - LGLD4B | 2 | 041815 | 186 | Shaft Protector | 1 | 341801 |
| 28 | Capscrews - Bearing Cover | 12 | 920285 | | Tool - Locknut | | 903092 |
| 35 | Key - Shaft | 1 | ¹ 909183 | | Kit - Maintenance | | 898922 |
| | | | | | Kit - Rebuild -LGLD4B | | 899022 |

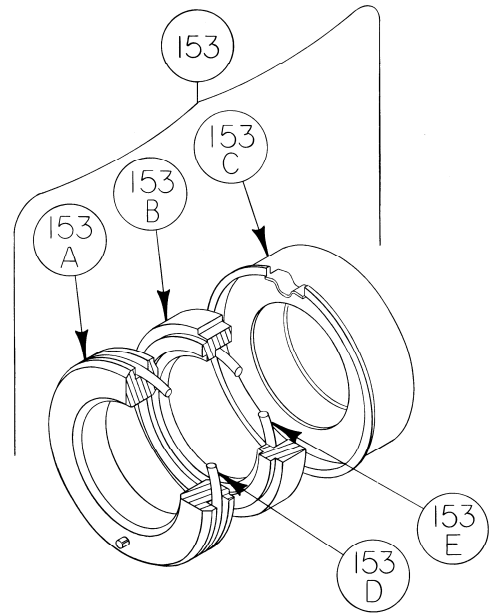
¹ Included in Maintenance Kit and Rebuild Kit ² Included in Rebuild Kit only

MECHANICAL SEAL - STANDARD

| Ref. No. | Part Name | Parts Per Pump | Part No. |
|----------|----------------------------------|----------------|---------------------|
| 153 | Mechanical Seal Assembly | 2 | ¹ 332050 |
| 153A | Stationary Seat (Hardened Steel) | 2 | ** |
| 153B | Seal Face (Carbon) | 2 | ** |
| 153C | Jacket Assembly | 2 | ** |
| 153D | O-Ring - Stationary (Buna-N) | 2 | 701934 |
| 153E | O-Ring - Rotating (Buna-N) | 2 | 711912 |

¹ Included in Maintenance Kit and Rebuild Kits

** NOTE: Mechanical Seal Ref. No. 153 is only sold as a complete assembly.
Ref. Nos. 153A, 153B & 153C are not available as separate replacement parts.



HYDRAULIC MOTOR ADAPTER PARTS

| REF. NO. | PART NAME | PARTS PER PUMP | PART NO. |
|-----------|--|----------------|----------|
| See Below | Hydraulic Motor Adapter Kit * | See Below | 892037 |
| 26A | Gasket – Hydraulic Motor Adapter | 1 | 381817 |
| 28A | Capscrew – Hydraulic Motor Adapter / Head | 6 | 920369 |
| 34 | Coupling w/ Setscrew – 1.25" straight key hyd. motor shaft | 1 | 906970 |
| 35 | Key – Coupling | 1 | 909184 |
| 76 | Grease Fitting | 1 | 317815 |
| 76A | Grease Relief Fitting | 1 | 701992 |
| 135 | Hydraulic Motor Adapter – SAE A Flange | 1 | 041829 |
| 135A | Capscrew – Adapter / Motor | 2 | 920510 |

