

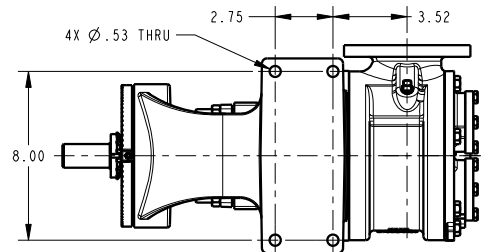
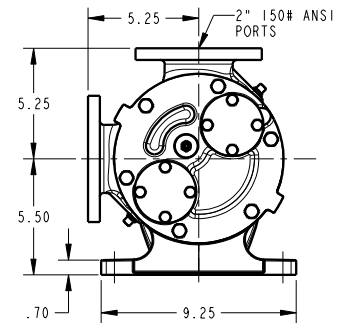
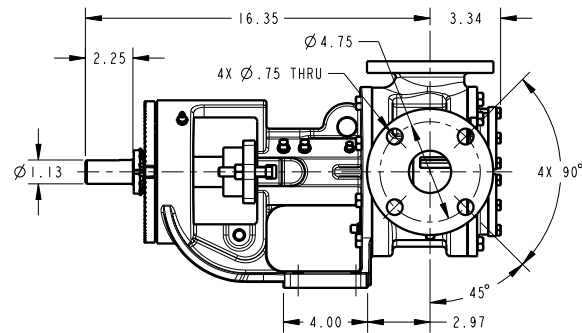
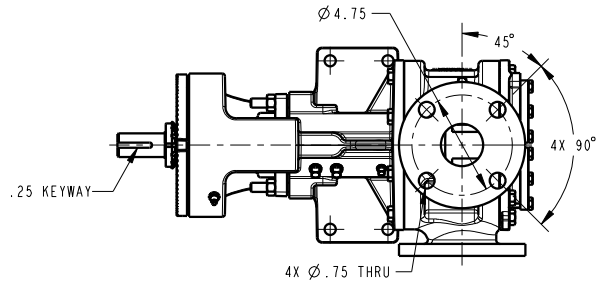
CAD generated and maintained drawing. All printed and electronic copies outside of EnviroGear's engineering database are "Uncontrolled" and shall be used for reference only.

NOTES: UNLESS OTHERWISE SPECIFIED

1. DIMENSIONS AND TOLERANCES PER ASME Y14.5M-1994.
2. * INDICATES DIMENSIONS AND/OR FEATURES MODIFIED ON CURRENT REVISION LEVEL.

THIS DRAWING DOES NOT SHOW DETAILS OF ALL OPTIONS AND ACCESSORIES

REV.	DESCRIPTION	BY	CHK.	APP.	DATE
A	RELEASED INTO PRODUCTION SEE ECN #N00193	-	-	-	-
B	SEE ECN #N00225	M.S.	R.A.	N.O.	3/15/16



DO NOT SCALE DRAWING UNLESS OTHERWISE SPECIFIED DIMENSIONS ARE IN INCHES TOLERANCE ARE:		EnviroGear		EnviroGear® Internal Gear Pumps 22069 VAN BUREN STREET GRAND TERRACE, CA 92313-5607 909 422-1131 WWW.ENVIROGEARPUMP.COM	
DECIMALS .XX ± -		TITLE PUMP ASSEMBLY, DIMENSIONAL G1-24/32, FLANGED, W/O PRV		DATE 06/29/15	
.XXX ± -		DRAWN BY C. LEOPOLD		ASSY. NO.	
ANGLES ± -		CHECKED BY R. SCHWARTZ		DATE 06/29/15	
SCALE 1/4		SHEET 1 OF 1		APPROVED BY N. ORTEGA	
		DATE 06/29/15		DRAWING NO. LM0024	
				REV. B	

THIS DOCUMENT AND ITS CONTENTS ARE PROPRIETARY TO ENVIROGEAR INTERNAL GEAR PUMP ANY REPRODUCTION, DISCLOSURE OR USE OF THIS DOCUMENT IS EXPRESSLY PROHIBITED EXCEPT AS OTHERWISE AGREED TO IN WRITING.