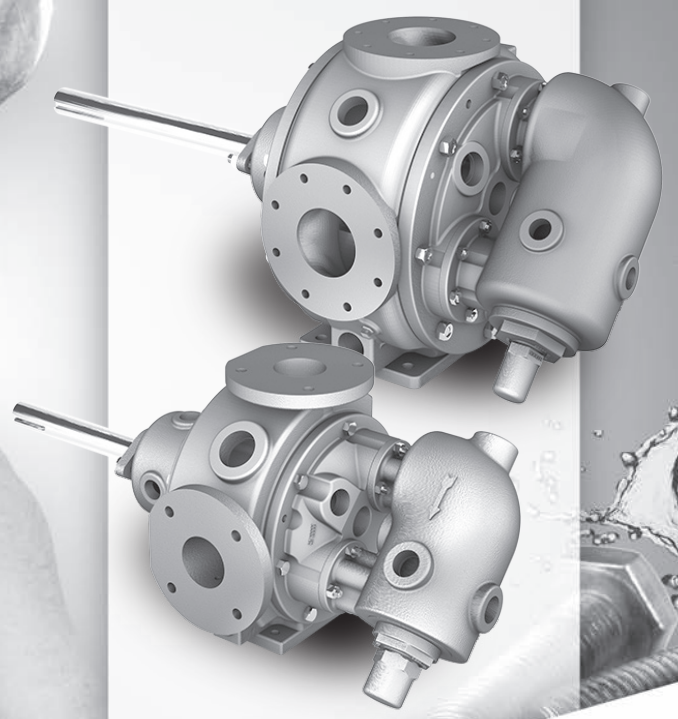




Competitive Dimensional Comparison

V Series
Internal Gear Pumps



Where Innovation Flows

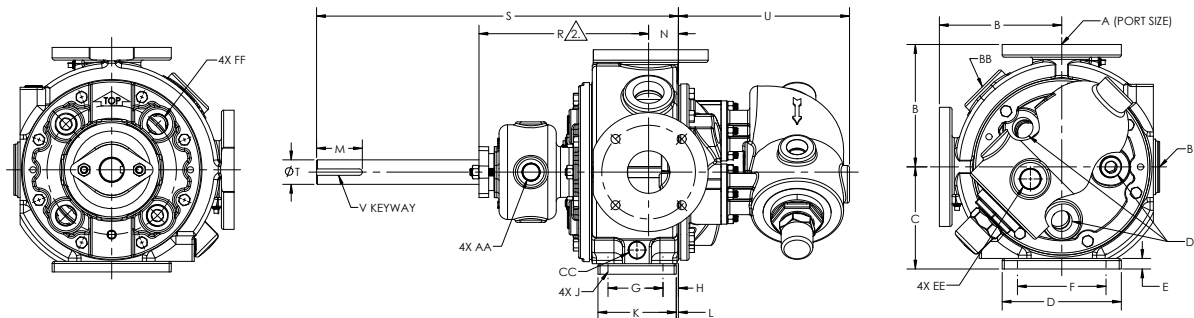
envirogearpump.com



DIMENSIONAL COMPARISON

Dimensional Comparison of V Series and Viking Pumps

V Series Model:	V2-55
Viking Model:	"LQ"
Ideal Flowrate:	0.238 gallons per rev



Pumps with 2 1/2" ANSI flanged ports

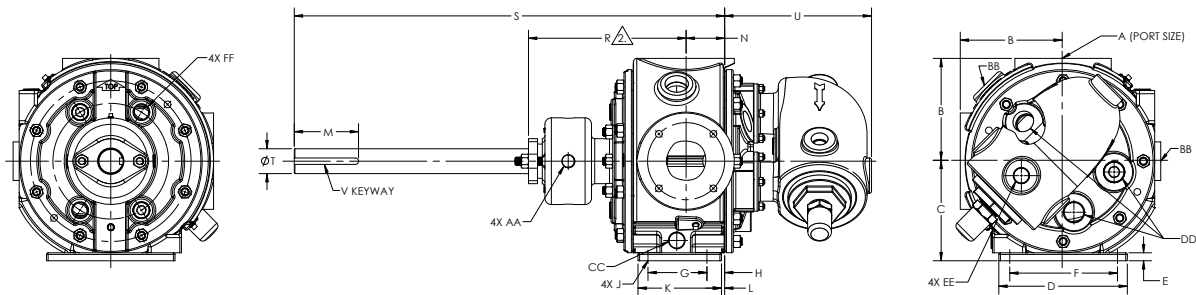
Dim	V Series Value	Viking Value	
		LQ34	LQ230
A	2-1/2" ANSI	✓	3"
B	7.19	✓	✓
C	6.00	✓	✓
D	7.00	✓	✓
E	0.62	✓	0.50
F	5.75	✓	✓
G	3.00	✓	✓
H	1.00	✓	✓
J	0.47	✓	✓
K	4.60	✓	✓
L	0.12	✓	✓
M	3.00	✓	2.00
N	1.75	✓	2.00
R	11.62	✓	10.88
S	21.25	✓	23.63
T	1.44	✓	✓
U*	8.50	7.88	7.00
V	.38 X .19	✓	✓
AA	3/4" NPT	✓	1/2" NPT
BB	1-1/2" NPT	✓	✓
CC	3/4" NPT	✓	NA
DD	1" NPT	✓	1/2" NPT
EE	1" NPT	✓	✓
FF	1" NPT	NA	NA

* Measurement is for a pump with non-jacketed head with jacketed PRV

DIMENSIONAL COMPARISON

Dimensional Comparison of V Series and Viking Pumps

V Series Model:	V2-133
Viking Model:	"Q"
Ideal Flowrate:	0.655 gallons per rev



Pumps with 3" ANSI flanged ports

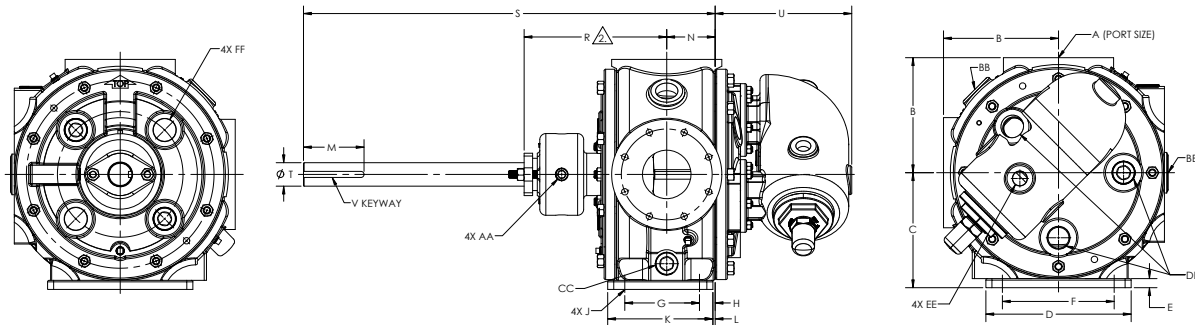
Dim	V Series Value	Viking Value	
		Q34	Q230
A	3" ANSI	✓	4"
B	8.00	✓	8.88
C	7.75	✓	✓
D	10.00	✓	✓
E	0.62	✓	✓
F	8.25	✓	✓
G	4.25	✓	✓
H	1.62	✓	✓
J	0.75	✓	0.66
K	6.50	✓	✓
L	0.25	✓	✓
M	5.00	✓	3.00
N	3.00	✓	✓
R	13.88	✓	14.00
S	33.50	✓	34.00
T	1.94	✓	✓
U*	10.52	✓	10.63
V	.50 X .25	✓	✓
AA	3/4" NPT	✓	1" NPT
BB	1-1/2" NPT	✓	✓
CC	1" NPT	✓	NA
DD	1-1/4" NPT	✓	1" NPT
EE	1" NPT	✓	✓
FF	1" NPT	NA	NA

* Measurement is for a pump with non-jacketed head with jacketed PRV

DIMENSIONAL COMPARISON

Dimensional Comparison of V Series and Viking Pumps

V Series Model:	V2-254
Viking Model:	"M"
Ideal Flowrate:	1.024 gallons per rev



Pumps with 4" ANSI flagged ports

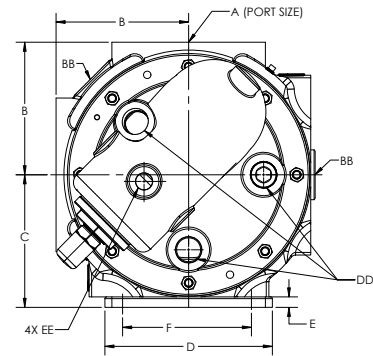
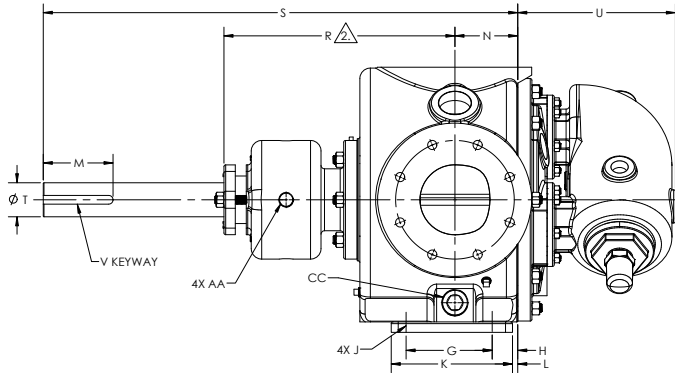
Dim	V Series Value	Viking Value	
		M34	M230
A	4" ANSI	✓	5"
B	9.50	✓	10.00
C	9.50	✓	✓
D	12.00	✓	✓
E	0.75	✓	✓
F	10.00	✓	✓
G	6.25	✓	✓
H	1.44	✓	1.63
J	0.75	✓	0.66
K	8.69	✓	8.50
L	0.19	✓	✓
M	5.00	✓	3.00
N	4.00	✓	4.50
R	13.38	✓	13.00
S	34.00	✓	29.00
T	1.94	✓	✓
U*	10.25	✓	10.38
V	.50 X .25	✓	✓
AA	3/4" NPT	✓	1" NPT
BB	1-1/2" NPT	✓	2" NPT
CC	1-1/2" NPT	✓	✓
DD	1-1/2" NPT	✓	1-1/4" NPT
EE	1" NPT	✓	✓
FF	1-1/2" NPT	NA	NA

* Measurement is for a pump with non-jacketed head with jacketed PRV

DIMENSIONAL COMPARISON

Dimensional Comparison of V Series and Viking Pumps

V Series Model:	V2-423
Viking Model:	"N"
Ideal Flowrate:	1.780 gallons per rev



Pumps with 5" ANSI flanged ports

Dim	V Series Value	Viking Value	
		N34	N230
A	5" ANSI	✓	✓
B	9.50	✓	10.00
C	9.50	✓	✓
D	12.00	✓	✓
E	0.75	✓	✓
F	10.00	✓	✓
G	6.25	✓	✓
H	1.62	✓	✓
J	0.75	✓	0.66
K	8.69	8.50	8.50
L	0.38	0.19	✓
M	5.00	✓	3.00
N	4.50	✓	✓
R	18.12	✓	19.00
S	34.00	✓	33.00
T	2.44	✓	✓
U*	10.25	✓	10.38
V	.62 X .31	✓	✓
AA	3/4" NPT	✓	1-1/4" NPT
BB	2" NPT	✓	✓
CC	1-1/2" NPT	✓	✓
DD	1-1/2" NPT	✓	1-1/4" NPT
EE	1" NPT	✓	✓

* Measurement is for a pump with non-jacketed head with jacketed PRV

Dimensional Comparison of V Series and Viking Pumps

Dimensional Comparison of V Series and Viking Pumps

Where Innovation Flows

PSG reserves the right to modify the information and illustrations contained in this document without prior notice. This is a non-contractual document. 08-2018



PSG

22069 Van Buren St., Grand Terrace, CA 92313-5607

P: +1 (909) 422-1731 • F: +1 (909) 783-3440

envirogearpump.com

Authorized PSG Representative:

Copyright ©2018, PSG, A Dover Company