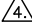

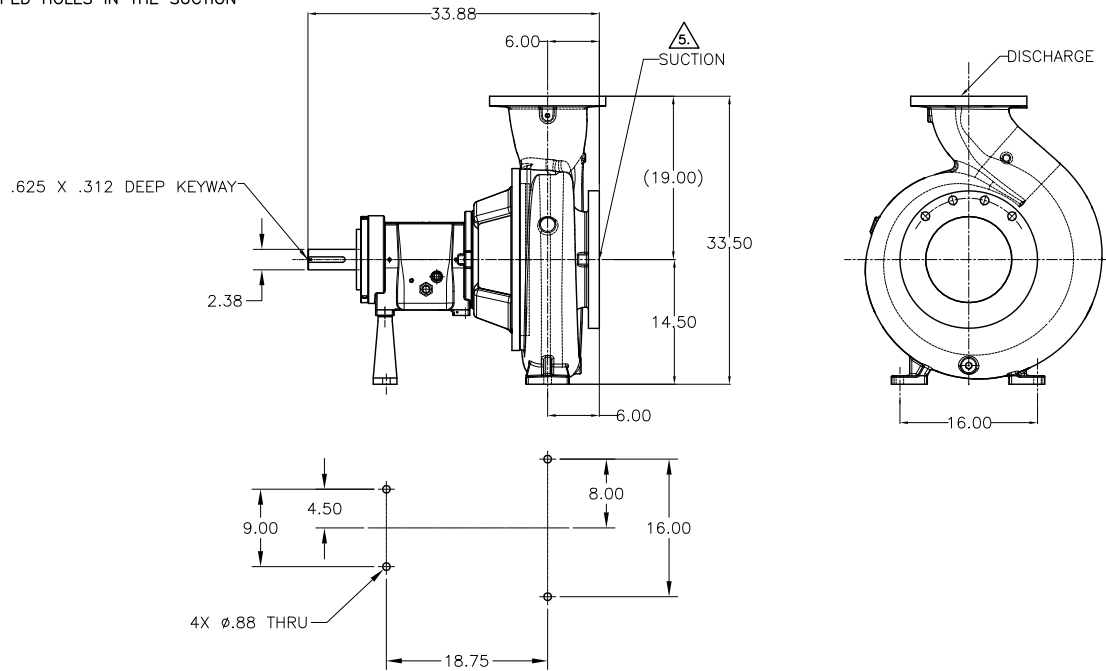


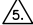
REV.	DESCRIPTION	BY	CHK.	APP.	DATE
A	RELEASED INTO PRODUCTION SEE ECN #G01031	-	-	-	-

NOTES: UNLESS OTHERWISE SPECIFIED

- DIMENSIONS AND TOLERANCES PER ASME Y14.5M-1994.
- \* INDICATES DIMENSIONS AND/OR FEATURES MODIFIED ON CURRENT REVISION LEVEL.
- DIMENSIONS REFLECT STANDARD MFG TOLERANCES.
-  WEIGHTS ARE APPROXIMATE AND MAY VARY BASED ON MANUFACTURER'S MATERIALS AND PUMP CONFIGURATION.
-  THIS PUMP MAY HAVE TAPPED HOLES IN THE SUCTION FLANGE PER ASME B73.1.



OPTION	AVAILABLE OPTIONS
<input checked="" type="checkbox"/>	PUMP MATERIAL
	N6 DUCTILE IRON
	N6 DUCTILE IRON CASE / 91 SS IMPELLER
	91 STAINLESS STEEL
	20 HASTELLOY
	X4 CD4MCU SS
	OTHER:
	FLANGE FACE
	RAISED FACE

FLANGE OPTION DIMENSIONS							
OPTION	NOMINAL PIPE SIZE	FLANGE DIAMETER	BOLT CIRCLE DIAMETER	NO. OF BOLTS	DIAMETER OF BOLTS	BOLT HOLE	FLANGE
<input checked="" type="checkbox"/>	8" ASME 150# (SHOWN)						DISCHARGE
	8.00	13.50	11.75	8	0.75	0.88	
<input checked="" type="checkbox"/>	10" ASME 150# (SHOWN)						SUCTION
	10.00	16.00	14.25	12	0.88	1.00	
<input checked="" type="checkbox"/>	8" ASME 300#						DISCHARGE
	8.00	15.00	13.00	12	0.88	1.00	
<input checked="" type="checkbox"/>	10" ASME 300# (THD) 						SUCTION
	10.00	17.50	15.25	16	1.00	1.00-8 UNC-2B	
<input checked="" type="checkbox"/>	200 mm DIN PN16						DISCHARGE
	200 mm	340 mm	295 mm	12	20 mm	23 mm	
<input checked="" type="checkbox"/>	250 mm DIN PN16						SUCTION
	250 mm	405 mm	355 mm	12	24 mm	28 mm	

**CERTIFIED FOR CONSTRUCTION**

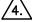
ONLY WHEN SIGNED


Signature \_\_\_\_\_

Date \_\_\_\_\_

Customer \_\_\_\_\_

Customer P.O. # \_\_\_\_\_

 PUMP WT. - 744 LBS

DO NOT SCALE DRAWING UNLESS OTHERWISE SPECIFIED DIMENSIONS ARE IN INCHES TOLERANCES ARE:				GRISWOLD PUMP COMPANY 22965 VAN BUREN STREET GRAND TERRACE, CA 92313-9697 PHONE: (909) 943-2022 / (925) 226-5255 WWW.GRISWOLDPUMP.COM	
DECIMALS .XX ± -		TITLE 10 X 8 - 17 A120 ANSI PEO, XL PF		DRAWN BY R. Schwartz DATE 01/26/17 ASSY. NO. _____	
.XXX ± -		CHECKED BY R. Beach DATE 1/26/17		DRAWING NO. LG0797	
ANGLES ± -		APPROVED BY B. Backman DATE 1/26/17		REV. A	
SCALE 1/8	SHEET 1 OF 1				

THIS DOCUMENT AND ITS CONTENTS ARE PROPRIETARY TO GRISWOLD PUMP ANY REPRODUCTION, DISCLOSURE OR USE OF THIS DOCUMENT IS EXPRESSLY PROHIBITED EXCEPT AS OTHERWISE AGREED TO IN WRITING.