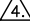
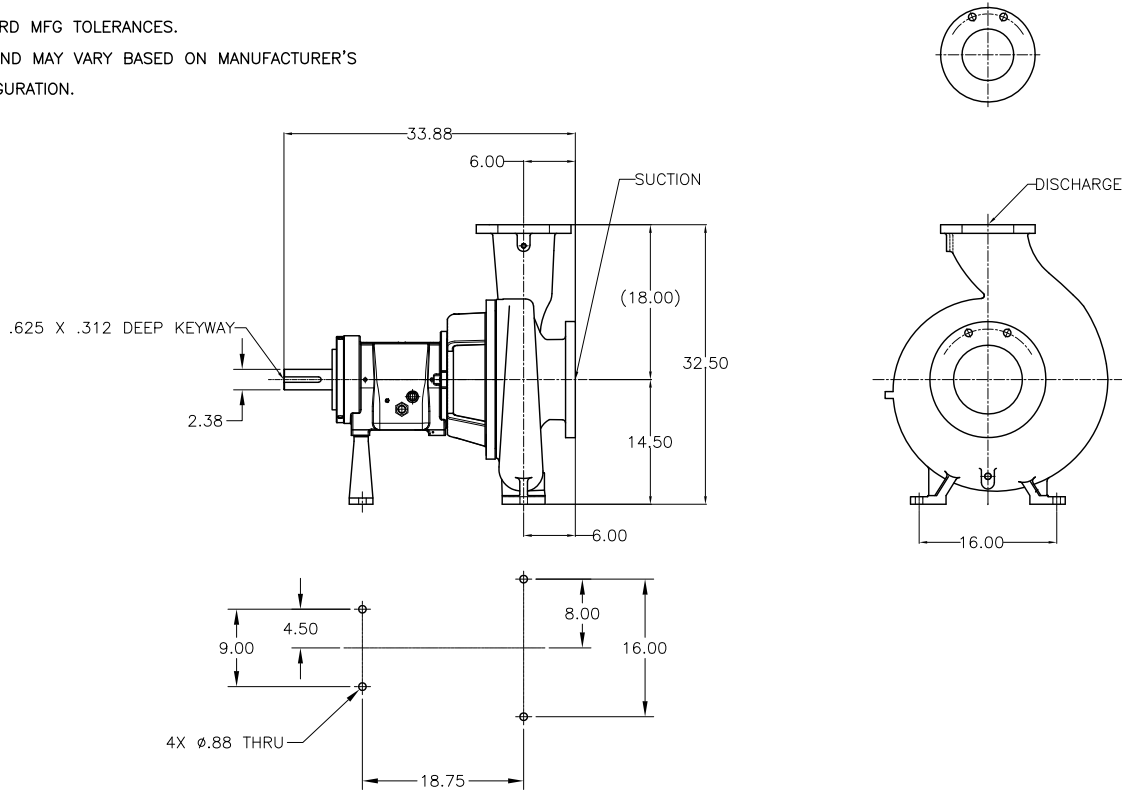


REV.	DESCRIPTION	BY	CHK.	APP.	DATE
A	RELEASED INTO PRODUCTION SEE ECN #G01031	-	-	-	-

NOTES: UNLESS OTHERWISE SPECIFIED

- DIMENSIONS AND TOLERANCES PER ASME Y14.5M-1994.
- * INDICATES DIMENSIONS AND/OR FEATURES MODIFIED ON CURRENT REVISION LEVEL.
- DIMENSIONS REFLECT STANDARD MFG TOLERANCES.
-  WEIGHTS ARE APPROXIMATE AND MAY VARY BASED ON MANUFACTURER'S MATERIALS AND PUMP CONFIGURATION.




OPTION	AVAILABLE OPTIONS
<input checked="" type="checkbox"/>	PUMP MATERIAL
	N6 DUCTILE IRON
	N6 DUCTILE IRON CASE / 91 SS IMPELLER
	91 STAINLESS STEEL
	20 HASTELLOY
	X4 CD4MCU SS
	OTHER:
	FLANGE FACE
	RAISED FACE

**CERTIFIED
FOR
CONSTRUCTION**


ONLY WHEN SIGNED

Signature _____
Date _____
Customer _____
Customer P.O. # _____

 PUMP WT. - 553 LBS

FLANGE OPTION DIMENSIONS							
OPTION	NOMINAL PIPE SIZE	FLANGE DIAMETER	BOLT CIRCLE DIAMETER	NO. OF BOLTS	DIAMETER OF BOLTS	BOLT HOLE	FLANGE
<input checked="" type="checkbox"/>	6" ASME 150# (SHOWN)						DISCHARGE
	6.00	11.00	9.50	8	0.75	0.88	
<input checked="" type="checkbox"/>	8" ASME 150# (SHOWN)						SUCTION
	8.00	13.50	11.75	8	0.75	0.88	
<input checked="" type="checkbox"/>	6" ASME 300#						DISCHARGE
	6.00	12.50	10.62	12	0.75	0.88	
<input checked="" type="checkbox"/>	8" ASME 300#						SUCTION
	8.00	15.00	13.00	12	0.88	1.00	
<input checked="" type="checkbox"/>	150 mm DIN PN16						DISCHARGE
	150 mm	285 mm	240 mm	8	20 mm	23 mm	
<input checked="" type="checkbox"/>	200 mm DIN PN16						SUCTION
	200 mm	340 mm	295 mm	12	20 mm	23 mm	

THIS DOCUMENT AND ITS CONTENTS ARE PROPRIETARY TO GRISWOLD PUMP. ANY REPRODUCTION, DISCLOSURE OR USE OF THIS DOCUMENT IS EXPRESSLY PROHIBITED EXCEPT AS OTHERWISE AGREED TO IN WRITING.

DO NOT SCALE DRAWING UNLESS OTHERWISE SPECIFIED DIMENSIONS ARE IN INCHES TOLERANCES ARE:				GRISWOLD PUMP COMPANY 22965 VAN BUREN STREET GRAND TERRACE, CA 92313-9697 PHONE: (909) 943-2222 / (925) 226-5255 WWW.GRISWOLDPUMP.COM	
DECIMALS .XX ± -		TITLE 8 X 6 - 15 A110 ANSI PEO, XL PF		DRAWN BY R. Schwartz DATE 01/26/17 ASSY. NO. -	
.XXX ± -		CHECKED BY R. Beach DATE 1/26/17 DRAWING NO. LG0791		REV. A	
ANGLES ± -		APPROVED BY B. Backman DATE 1/26/17			
SCALE 1/8	SHEET 1 OF 1				