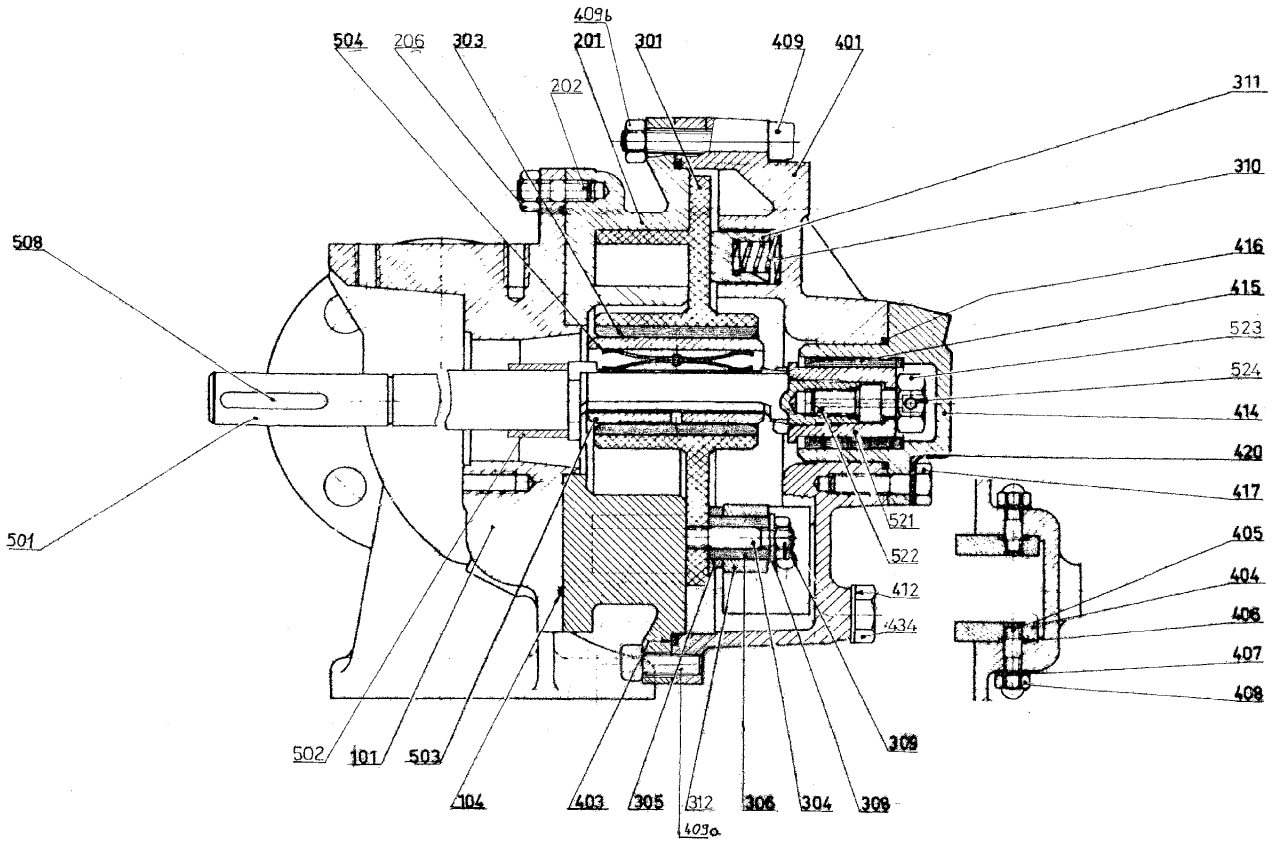


(See Instructions 1003-D00 for Installation, Operation and Maintenance)

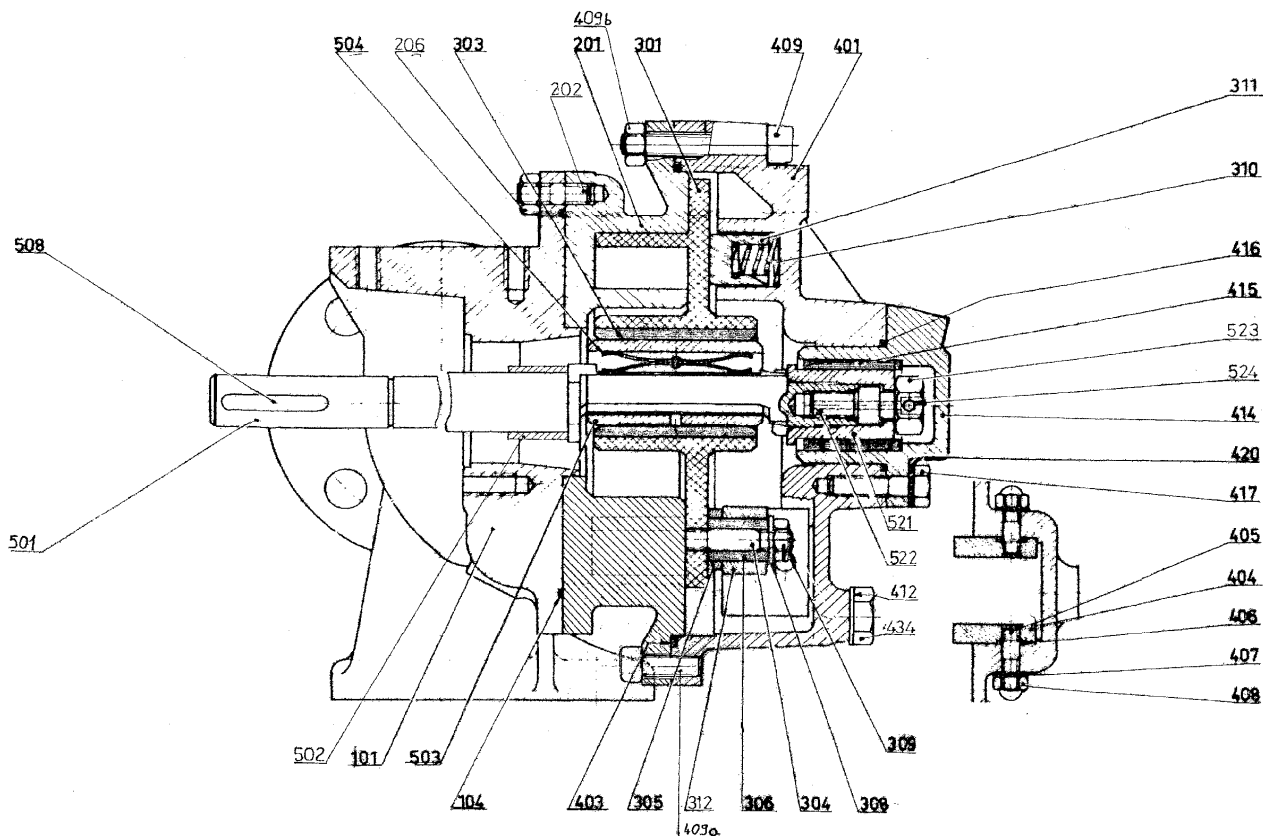
Section	1003
Effective	June 2012
Replaces	September 2011



Reference			Description	Qty order / (in pump)	Article code		
Ass.	Part	Available			AF HT	Kit/Part	
99		◆	Full set of screws / seals	1	311705.00		
		104	Gasket	(1)			
		202	Stud	(8)			
		206	Nut	(8)			
		403	▲	Front cover seal	1	216311	
		405		Stud	(2)		
		406		Seal	(2)		
		407		Seal	(2)		
		408		Nut	(2)		
		409		Screw	(6)		
		409a		Nut	(6)		
		409d		Screw	(6)		
		411	◆	Front cover drain plug + seal	1	300036.00	
		412		Seal	(1)		
		434		Drain plug	(1)		
	416		Gasket	(1)			
	417		Screw	(4)			
	420		Washer	(4)			
	1000	◆	Plug	1	302242.00		
	1001		Plug	(1)			
	1002		Seal	(1)			
100		◆	Main body, complete	1	300489.04		
		101	Main body	(1)			
		817	◆	Mounting kit	1	300490.00	
		813		Nut	(2)		
		814		Stud	(8)		
		815		Washer	(2)		
	877		Centering gasket	(2)			

(◆) Sets of parts or (▲) parts available to order.

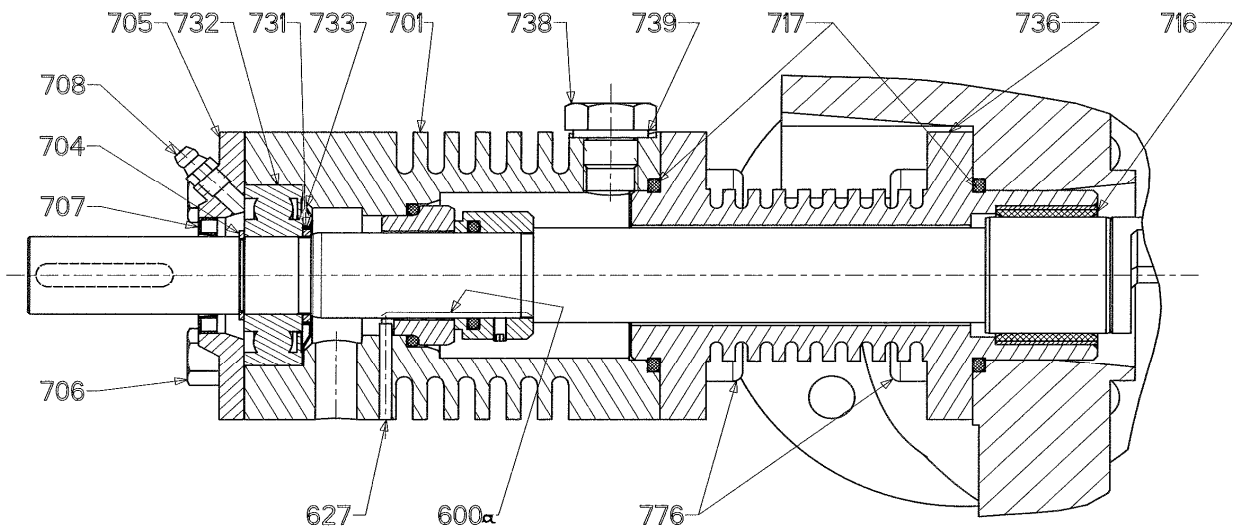
■ Kit/Part for maintenance • Wear parts



Reference			Description	Qty order / (in pump)	Article code	
Ass.	Part	Available			AF HT	Kit/Part
200	201	◆	Cylinder, complete	1	311303.05	■ •
	202		Cylinder	(1)		
	206		Stud	(8)		
			Nut	(8)		
300	301O	◆	Complete piston	1	311568.04	■ •
	303	▲	Piston + Block pin	(1)		
	398	◆	Piston bushing	1	218281	■ •
	304		Slide block, complete	1	300456.00	
	305		Block pin	(1)		
	308		Abutment	(1)		
	309		Washer	(1)		
	307	◆	Nut	(1)	300459.00	•
	306		Slide block + bushing	1		
	312		Bushing	(1)		
399	310	◆	Guide block, complete	1	300462.00	
			Spring	(3)		
	311		Piston rear spring seat	(3)		
400A	401	◆	Complete front cover HT	1	300491.04	
	402	◆	Front cover HT	(1)		
	404		Front bushing set	1	300492.04	•
	405		Guide	(2)		
	406		Stud	(2)		
	407		Seal	(2)		
	408		Seal	(2)		
	408		Nut	(2)		
	411	◆	Front cover drain plug + seal	1	300036.00	
	412		Seal	(1)		
434		Drain plug	(1)			
	403	▲	Front cover seal	1	216311	
413	414	◆	Front cover bearing complete	1	311302.04	■ •
	415	▲	Front cover bearing	(1)		
	416		Bushing	1	218286	
	417		Gasket	(1)		
	420		Screw	(4)		
	1000	◆	Washer	(4)	302242.00	
		◆	Plug	1		

(◆) Sets of parts or (▲) parts available to order.

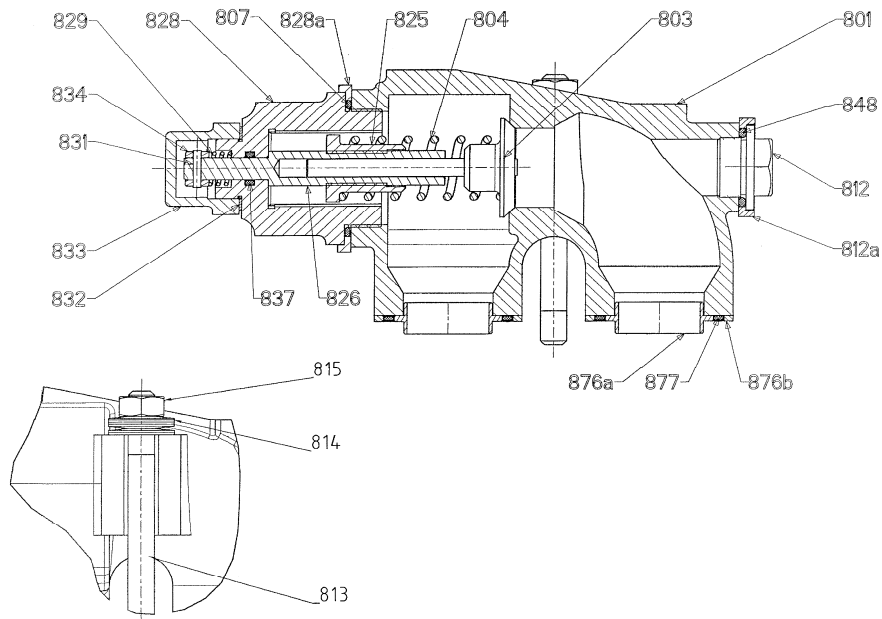
■ Kit/Part for maintenance • Wear parts



Reference			Description	Qty order / (in pump)	Article code		
Ass.	Part	Available			AF HT	Kit/Part	
500		◆	Shaft complete	1	311695.04		
		▲	Shaft	1	218315		
			Bushing	(1)			
		▲	Piston bearing	1	203509	•	
		▲	Key	1	212924		
		▲	Spring	1	201397		
		◆	Complete sleeve	1	300501.00	•	
			Sleeve	(1)			
			Screw	(1)			
			Nut	(1)			
			Pin	(1)			
	700		◆	Ball bearings complete	1	311696.04	
			◆	Mechanical seal + seals + screws	1	311702.00	■ •
			Mechanical seal	(1)			
			Ring	(1)			
			Screw	(4)			
			Lip seal	(1)			
			Cage seal	(2)			
			Washer	(1)			
			Protection circlip	(1)			
			Plug	(1)			
			Seal	(1)			
			Screw	(8)			
		▲	Pin	1	200117		
			Bearing cage	(1)			
			Bearing cover	(1)			
			Grease nipple	(1)			
			Bearing	(1)			
		◆	Bearing complete	1	311699.00		
			Bushing	(1)			
			Bearing HT	(1)			

(◆) Sets of parts or (▲) parts available to order.

■ Kit/Part for maintenance • Wear parts



Reference			Description	Qty order / (in pump)	Article code	
Ass.	Part	Available			AF HT	Kit/Part
800		◆	Bypass complete - HT	1	300572.04	
	801		Bypass body	(1)		
	803		Valve	(1)		
	804	▲	Spring	1	201179	
	812		Plug	(1)		
	812a		Bushing	(1)		
	825		Spring guide	(1)		
	826		Adjusting screw	(1)		
	828		Nut	(1)		
	828a		Bushing	(1)		
	833		Plug	(1)		
	834		Adjustment nut	(1)		
	899	◆	Bypass gasket set - HT	1	300549.04	■
	807		Seal	(1)		
	829		Spring	(1)		
	831		Pin	(1)		
	832		Seal	(1)		
	837		Seal	(1)		
	848		Seal	(1)		
	876a		Internal centering	(2)		
	876b		External centering	(2)		
	817	◆	Mounting kit	1	300490.00	
	813		Nut	(2)		
	814		Stud	(8)		
	815		Washer	(2)		
	877		Centering gasket	(2)		

■ Kit/Part for maintenance • Wear parts

(◆) Sets of parts or (▲) parts available to order.

Keep this parts lists with Installation, Operation and Maintenance Instructions.

CVT : FEP encapsulated FKM



Z.I. la Plaine des Isles - 2 rue des Caillottes F-89000 AUXERRE - FRANCE
 Tel : +33 (0)3 86 49 86 30 • Fax : +33 (0)3 86 49 87 17
 contact@mouvex.com • www.mouvex.com