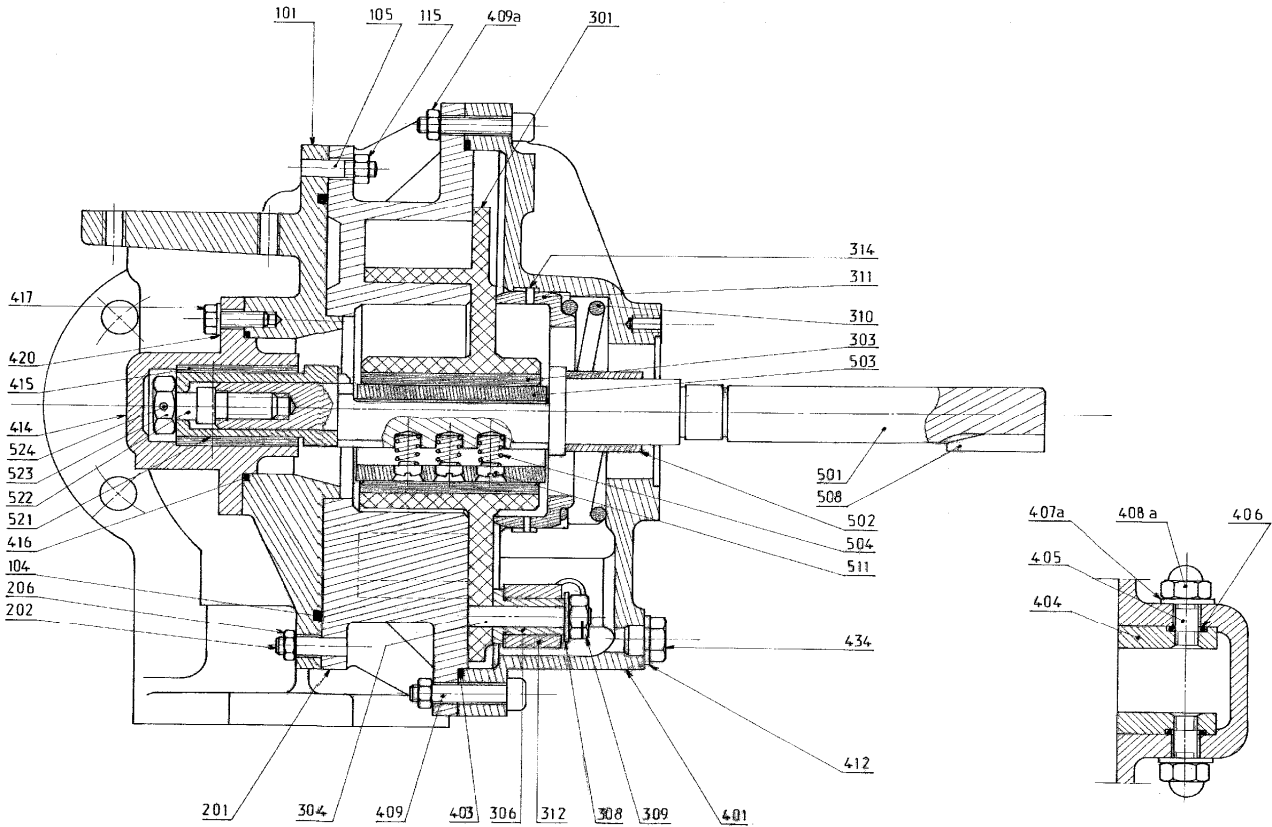


(See Instructions 1003-G00 for Installation, Operation and Maintenance)

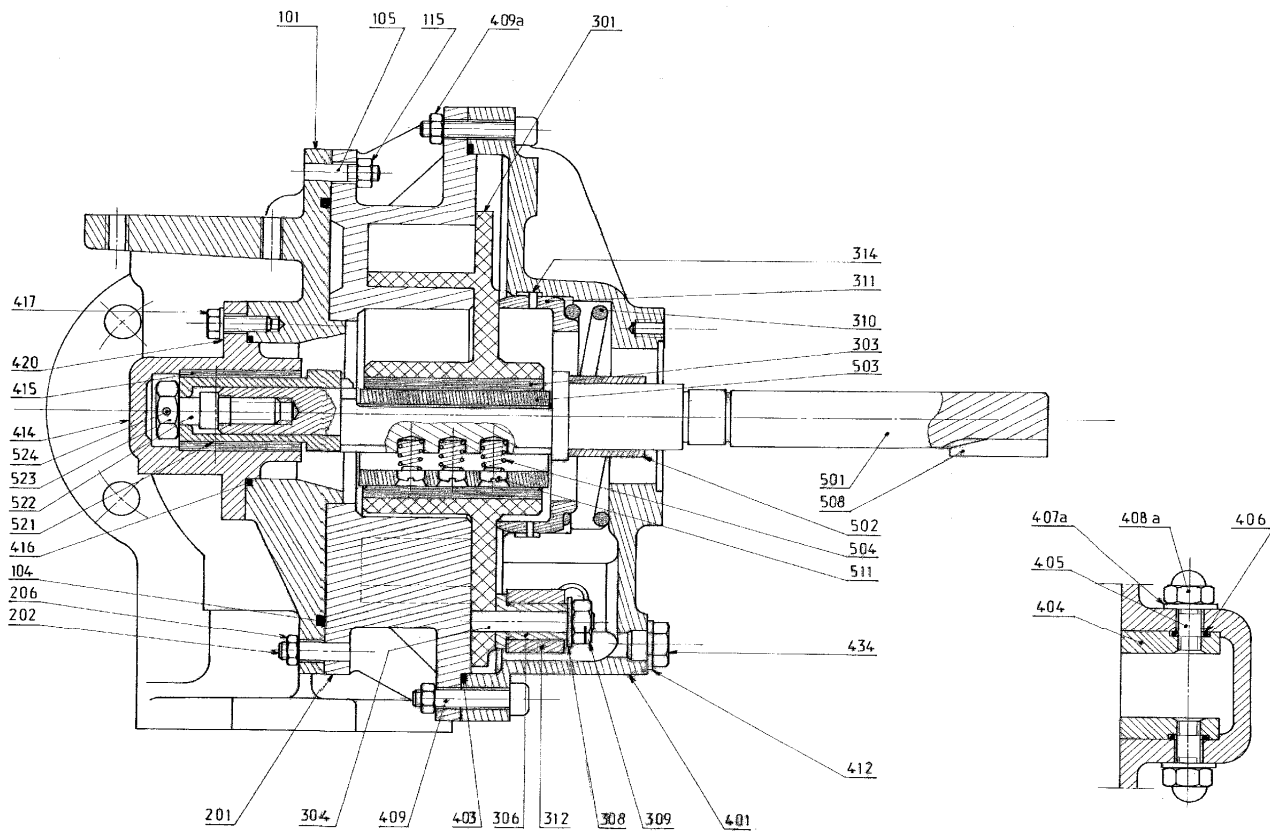
Section Effective Replaces	1003 June 2012 September 2011
----------------------------	-------------------------------------



Reference			Description	Qty order / (in pump)	Article code	Kit/Part
Ass.	Part	Available			AK HT	
99		◆	Full set of screws / seals	1	311708.00	
	104		Gasket	(1)		
	105		Stud	(7)		
	115		Nut	(7)		
	202		Stud	(3)		
	206		Nut	(3)		
	403	▲	Front cover seal	1	216304	
	405		Stud	(2)		
	406		Seal	(2)		
	407a		Seal	(2)		
	408a		Nut	(2)		
	409		Screw	(16)		
	409a		Nut	(16)		
	411	◆	Front cover drain plug + seal	1	300036.00	
	412		Seal	(1)		
	434		Drain plug	(1)		
	416		Gasket	(1)		
	417		Screw	(4)		
	420		Washer	(4)		
	1000	▲	Plug	1	302242.00	
	1001		Plug	(1)		
	1002		Seal	(1)		
100		◆	Main body, complete	1	300138.04	
	101		Main body	(1)		
	105		Stud	(7)		
	115		Nut	(7)		
	817	◆	Mounting kit	1	300139.00	
	813		Nut	(2)		
	814		Stud	(8)		
	815		Washer	(2)		
	877		Centering gasket	(2)		

■ Kit/Part for maintenance ● Wear parts

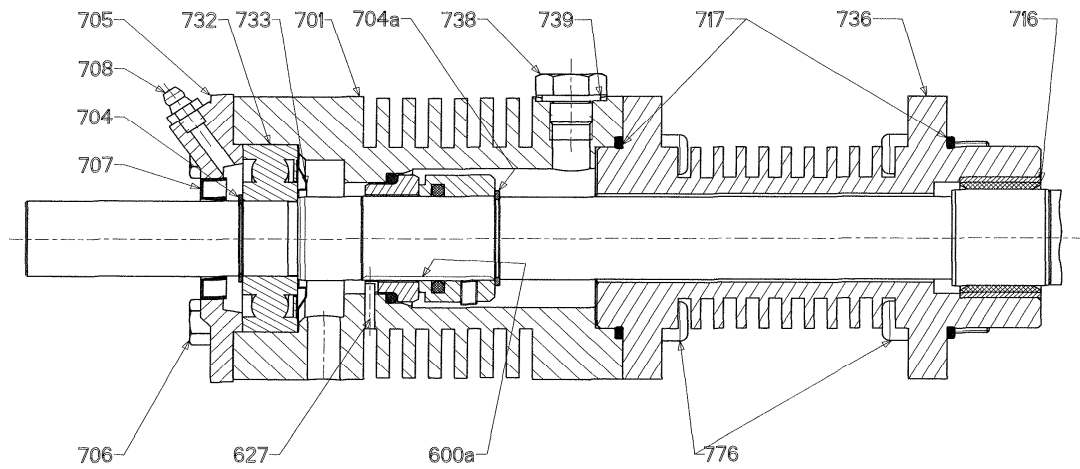
(◆) Sets of parts or (▲) parts available to order.



Reference			Description	Qty order / (in pump)	Article code	Kit/Part
Ass.	Part	Available			AK HT	
200	201	◆	Cylinder, complete Cylinder	1 (1)	311712.00	■ •
300	3010	◆	Complete piston Piston + Block pin	1 (1)	311570.04	■ •
	303	▲	Piston bushing	1	218282	
	398	◆	Slide block, complete	1	300003.00	■ •
	304		Block pin	(1)		
	308		Washer	(1)		
	309		Nut	(1)		
	307	◆	Slide block + bushing	1	300122.00	•
	306		Bushing	(1)		
	312		Slide block	(1)		
399	310	◆	Guide block, complete Spring	1 (1)	300004.00	
	311		Piston rear spring seat	(1)		
	314		Pin	(2)		
400A	401	◆	Complete front cover Front cover	1 (1)	300140.04	•
	402	◆	Front bushing set	1	300016.04	
	404		Guide	(2)		
	405		Stud	(2)		
	406		Seal	(2)		
	407		Washer	(2)		
	408		Nut	(2)		
	411	◆	Front cover drain plug + seal	1	300036.00	
	412		Seal	(1)		
	434		Drain plug	(1)		
	403	▲	Front cover seal	1	216304	
413	414	◆	Front cover bearing complete Front cover bearing	1 (1)	311305.04	■ •
	415	▲	Bearing bushing	1	218287	
	416		Gasket	(1)		
	417		Screw	(4)		
	420		Washer	(4)		
	1000	▲	Plug	1	302242.00	

■ Kit/Part for maintenance • Wear parts

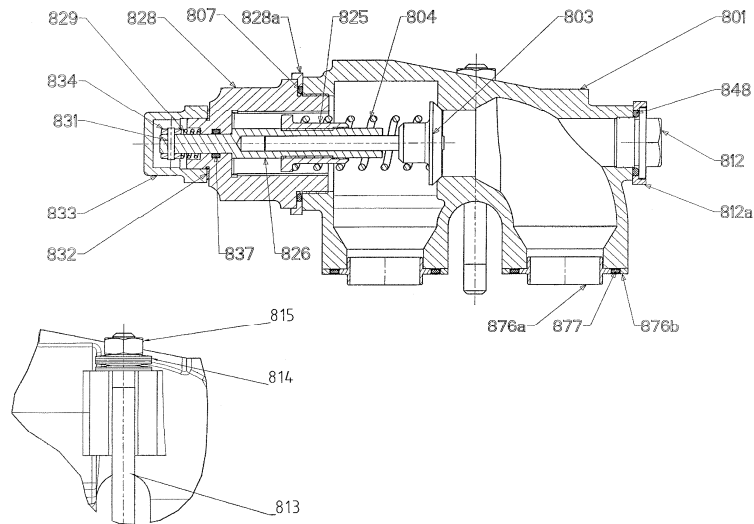
◆ Sets of parts or ▲ parts available to order.



Reference			Description	Qty order / (in pump)	Article code	Kit/Part	
Ass.	Part	Available			AK HT		
500		◆	Shaft complete	1	311709.00		
		▲	Shaft	1	218329		
			Bushing	(1)			
		▲	Piston bearing	1	203567	●	
		▲	Key	1	204521		
		◆	Bearing spring complete	1	300144.00		
			Spring	(3)			
			Screw	(3)			
		515	◆	Complete sleeve	1	300145.00	●
		521		Sleeve	(1)		
	522		Screw	(1)			
	523		Nut	(1)			
	524		Pin	(1)			
700		◆	Ball bearings complete	1	311710.00		
		◆	Mechanical seal + seals + screws	1	311714.00	■ ●	
			Mechanical seal	(1)			
			Ring	(1)			
			Circlip	(1)			
			Screw	(4)			
			Lip seal	(1)			
			Cage seal	(2)			
			Protection circlip	(1)			
			Plug	(1)			
			Seal	(1)			
			Stud	(8)			
		627	▲	Pin	(1)		
		701		Bearing cage	(1)		
		705		Bearing cover	(1)		
		708		Grease nipple	(1)		
		732		Bearing	(1)		
	736a	◆	Bearing complete	1	311713.00		
	716		Bushing	(1)			
	736		Bearing HT	(1)			

(◆) Sets of parts or (▲) parts available to order.

■ Kit/Part for maintenance ● Wear parts



Reference			Description	Qty order / (in pump)	Article code	
Ass.	Part	Available			AK HT	Kit/Part
800		◆	Bypass complete - HT	1	300188.04	
	801		Bypass body	(1)		
	803		Valve	(1)		
	804	▲	Spring	1	201187	
	812		Plug	(1)		
	812a		Bushing	(1)		
	825		Spring guide	(1)		
	826		Adjusting screw	(1)		
	828		Nut	(1)		
	828a		Bushing	(1)		
	833		Cap	(1)		
	834		Adjustment nut	(1)		
	899	◆	Bypass gasket set -HT	1	300091.04	■
	807	◆	Seal	(1)		
	829		Spring	(1)		
	831		Pin	(1)		
	832		Seal	(1)		
	837		Seal	(1)		
	848		Seal	(1)		
	876a		Internal centering	(2)		
	876b		External centering	(2)		
	817	◆	Mounting kit	1	300139.00	
	813		Nut	(2)		
	814		Stud	(8)		
	815		Washer	(2)		
	877		Centering gasket	(2)		

■ Kit/Part for maintenance • Wear parts

(◆) Sets of parts or (▲) parts available to order.

Keep this parts lists with Installation, Operation and Maintenance Instructions.

CVT : FEP encapsulated FKM



Z.I. la Plaine des Isles - 2 rue des Caillottes F-89000 AUXERRE - FRANCE
 Tel : +33 (0)3 86 49 86 30 • Fax : +33 (0)3 86 49 87 17
 contact@mouvex.com • www.mouvex.com