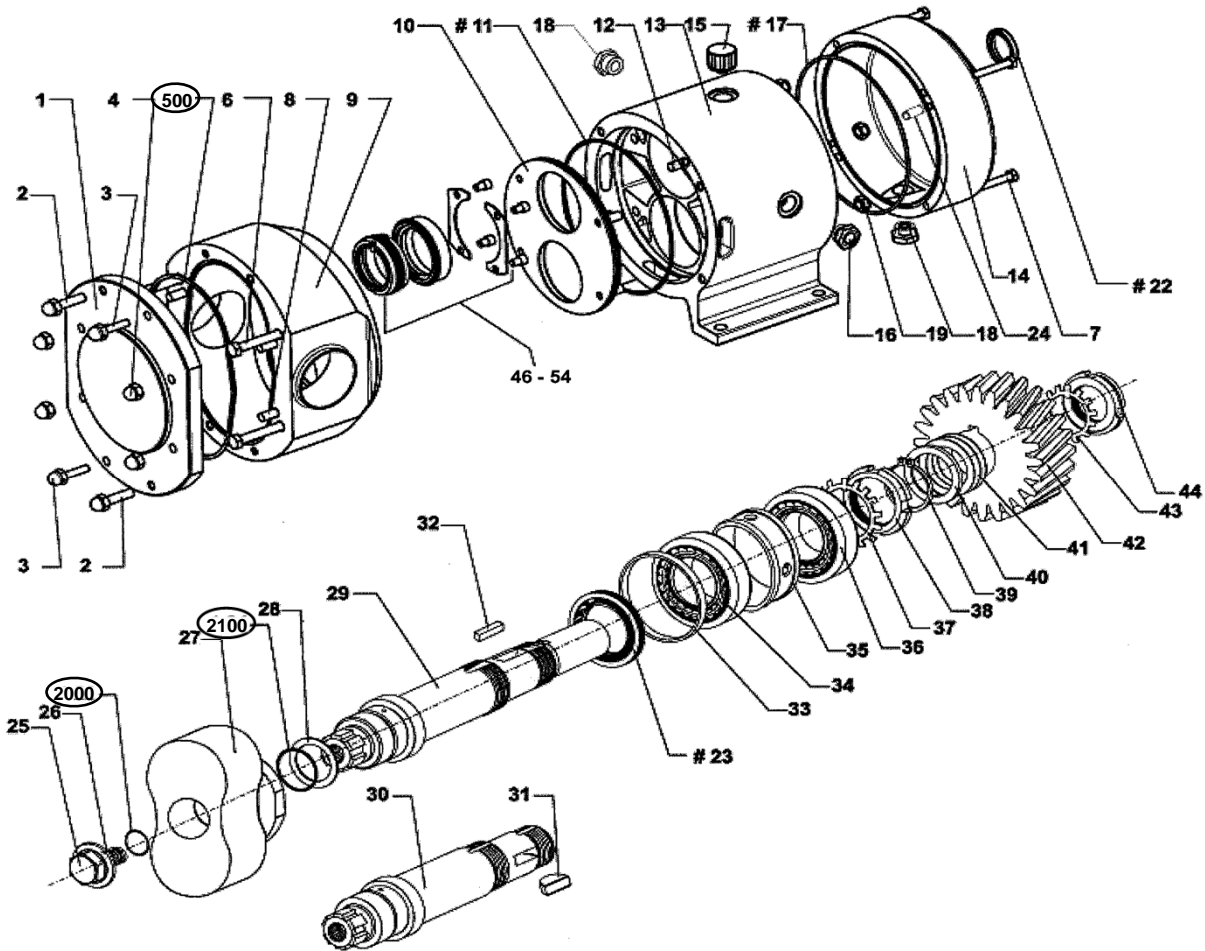


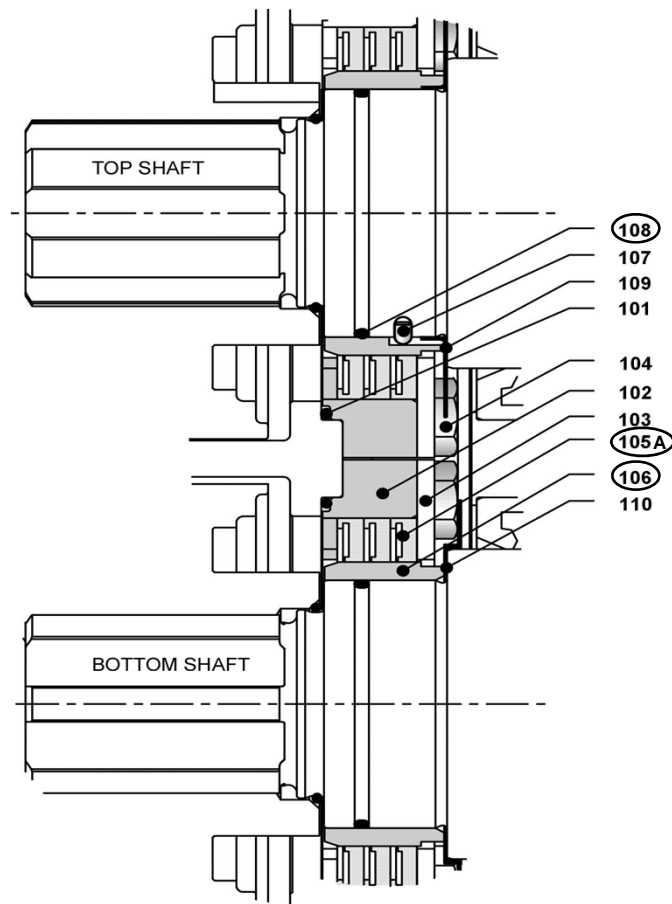
Section	1009
Effective	June 2014
Replaces	April 2014

(See Instructions 1009-E00 for Installation, Operation and Maintenance)

**SPARE PARTS KITS**



Article code	Description	Quantity	Reference	Wear parts	Available
223316	WET END SEAL KIT CCL50	1	501	X	◆
	Cover gasket	1	500	X	
	O'ring	2	2000		
	O'ring	2	2100		



## SPARE PARTS KITS

Article code	Description	Quantity	Reference	Wear parts	Available
315402.00	SET OF SHAFT SLEEVE	1	108B		◆
	Shaft sleeve	2	106	X	
	O'ring	2	108		
314074.00	SET OF LIP SEALS	2	08D		◆
	Lip seal	3	105A	X	
315598.00	CCL50 oil - Can 3 l	1	450		◆

(◆) To order the required spare parts, indicate the appropriate CUM numbers.  
Keep this parts lists with Installation, Operation and Maintenance Instructions.



Z.I. la Plaine des Isles - 2 rue des Caillottes F-89000 AUXERRE - France  
Tél : +33 (0)3 86 49 86 30 • Fax : +33 (0)3 86 49 87 17  
contact@mouvex.com • www.mouvex.com