

PARTS LIST

PUMP

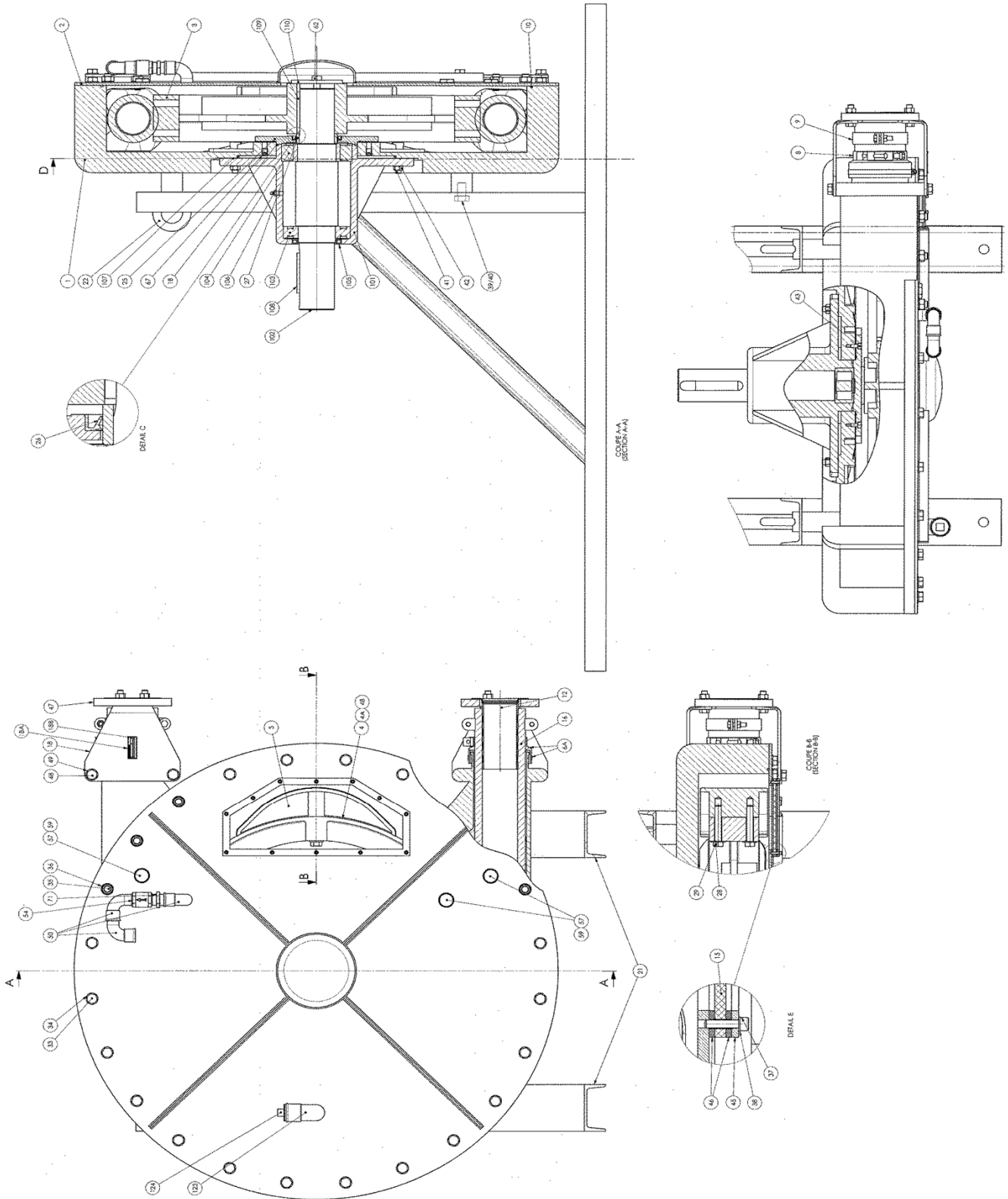
AS100

Keep this parts lists with Installation, Operation and Maintenance Instructions.

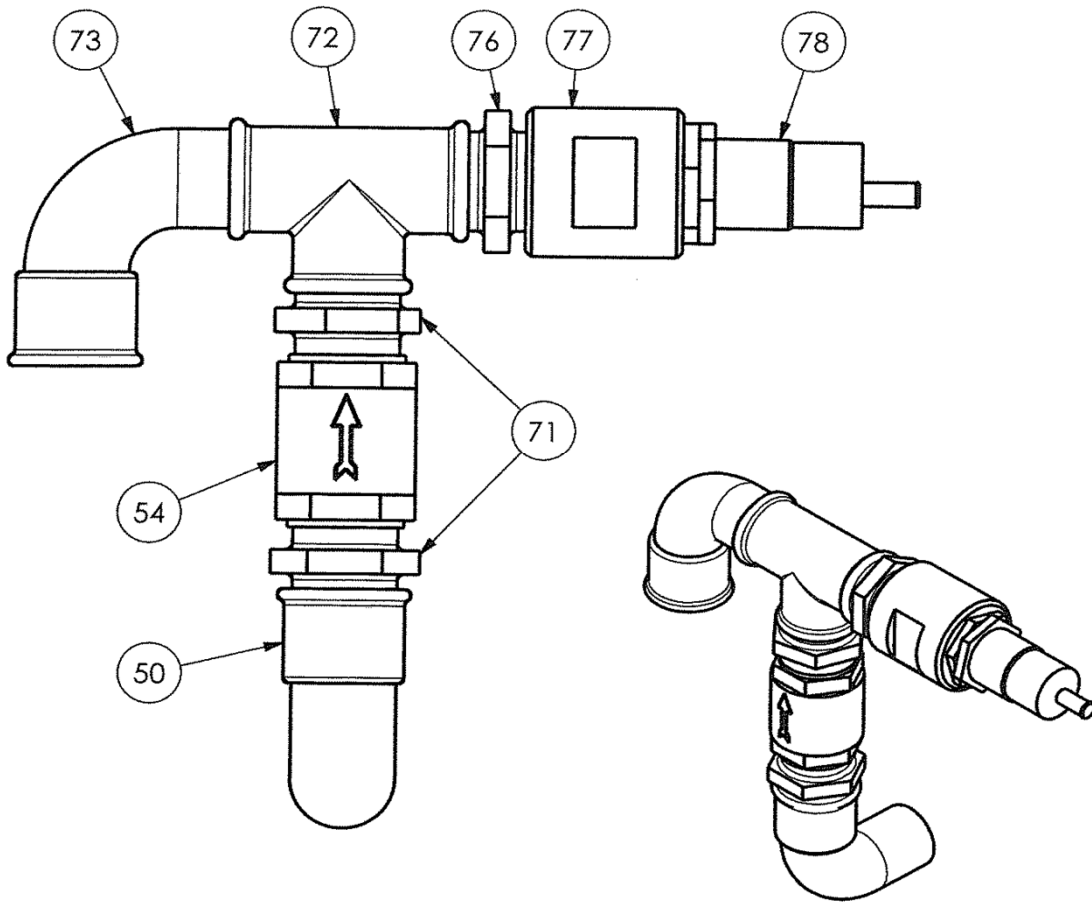
To order the required spare parts, indicate the desired Reference(s).

- ◆ Sets of parts or parts available to order.

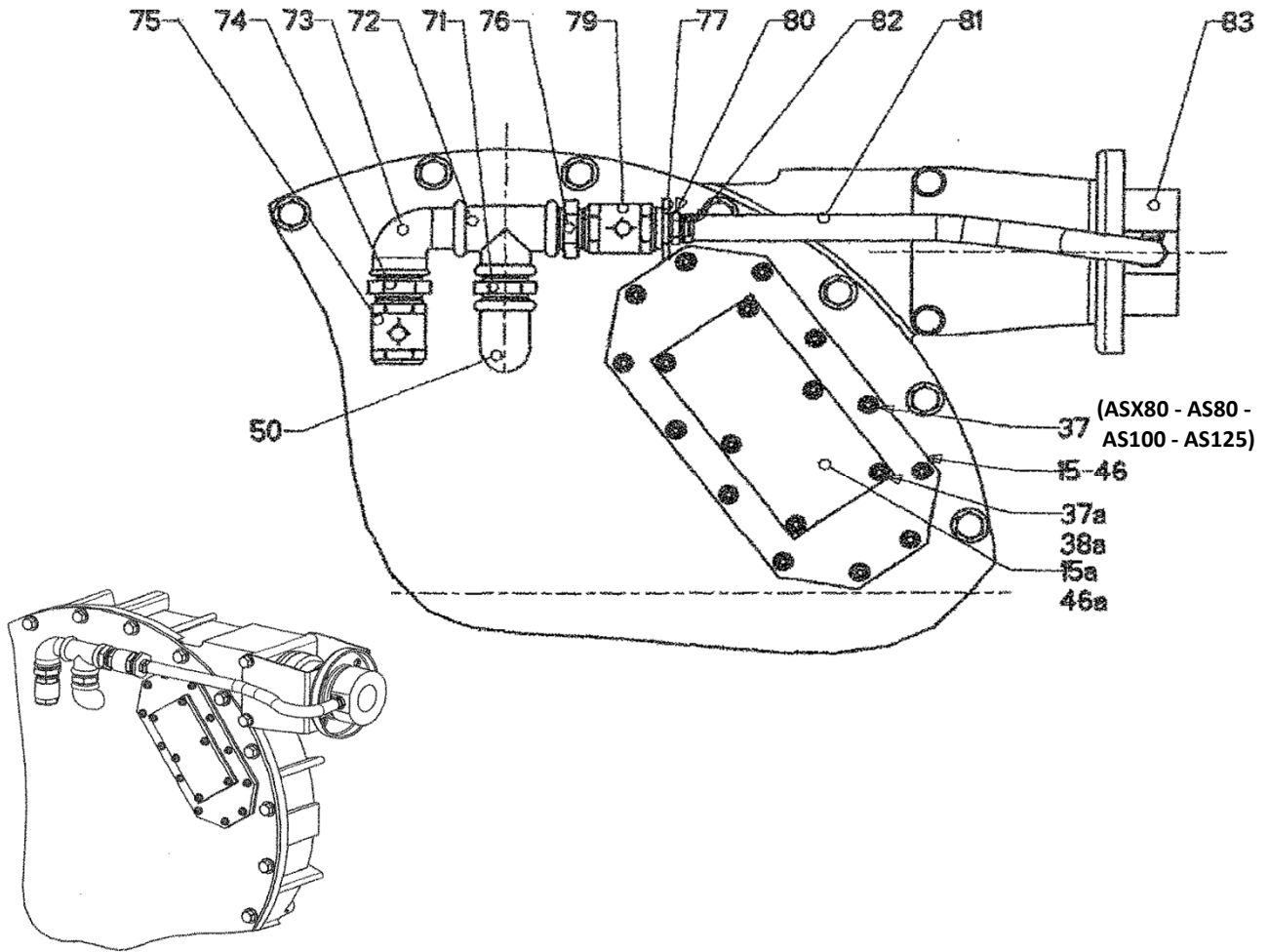
AS100



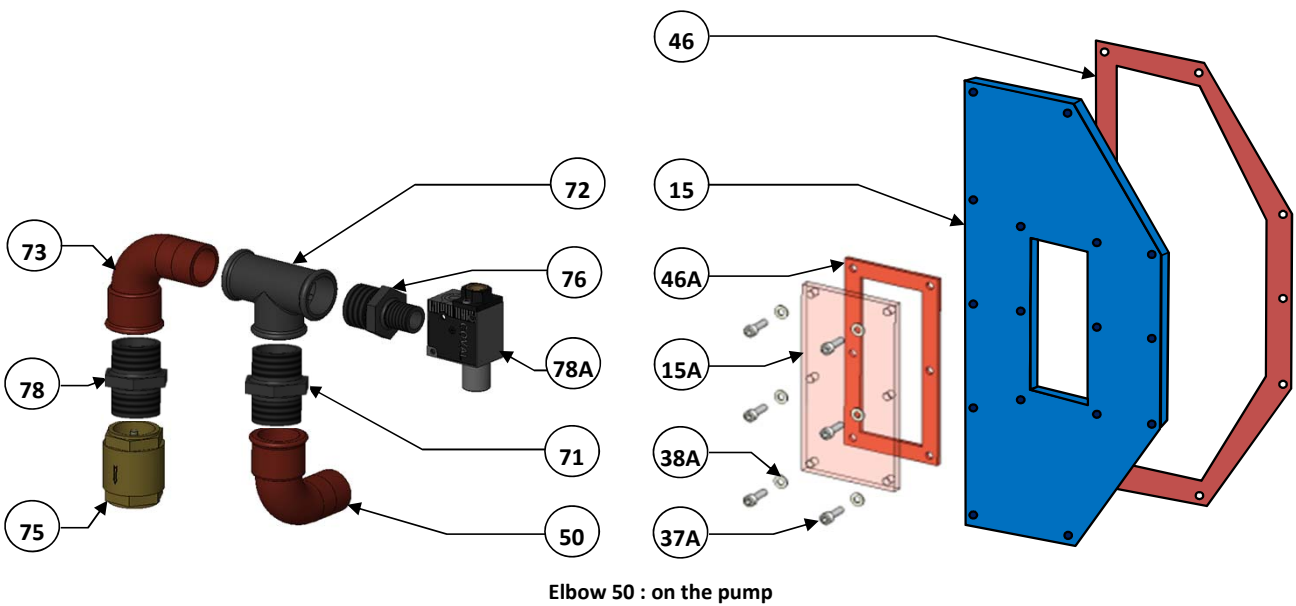
PUNCTURE DETECTION KIT



VACUUM KIT BY CONNECTION TO THE INLET FLANGE



EJECTOR VACUUM KIT



AS100

* 1, 2, 4... : Quantity in equipment - (1), (2), (4)... : Quantity in kit

Item	Available	Description	Qty*	Ref.	Maintenance kit	Wear part
2	◆	COVER	1	220196		
3	◆	WHEEL	1	217295		
6A	◆	NIPPLE + HOSE CLAMP	2	217076		
8	◆	HOSE CLAMP	2	219023		
9	◆	HOSE CLAMP	2	219747		
10	◆	COVER SEAL - FKM	1	220204		●
12	◆	INSERT STAINLESS STEEL	2	217331		
15	◆	WINDOW	1	220212		
16	◆	HOSE EPDM	1	218750	■	●
16	◆	HOSE NBR	1	229480	■	●
16	◆	HOSE NR	1	218748	■	●
18	◆	BRACKET	4	219103		
46	◆	WINDOW SEAL EPDM	2	217400		
114	◆	SET OF SHIMS	1	312363.00		
4		REMOVABLE SHIM	(14)			
116	◆	WHEEL FIXATION KIT	1	312805.00		
25		TIGHTNESS COVER	(1)			
26	◆	SHAFT SEAL (CLOSE COUPLING BORE 100) - FKM	1	220222		
27	◆	SEAL RING	1	218323		
43		SCREW	(10)			
62		SCREW	(1)			
67		SEAL	(1)			
110		WASHER	(1)			
117	◆	BEARING BOX	1	312807.00		
101		BEARING BOX	(1)			
102		SHAFT	(1)			
103		BEARING	(1)			
104		BEARING	(1)			
105		SEAL	(1)			
106		GREASE NIPPLE	(1)			
107		SEAL	(1)			
108		KEY	(1)			
109		KEY	(1)			
119	◆	SET OF IRON SHOES	1	312809.00		
4A		FIXED SHIM	(6)			
4B		FIXED SHIM	(4)			
5		SHOE	(2)			
130	◆	PUNCTURE DETECTION KIT	1	311839.00		
130	◆	PUNCTURE DETECTION KIT ATEX	1	313746.00		
50		ELBOW 90°	(1)			
54		VALVE	(1)			
71		NIPPLE	(2)			
72		T JUNCTION	(1)			
73		ELBOW 90°	(1)			
76		NIPPLE	(1)			
77		SLEEVE	(1)			
78		CAPACITIVE DETECTOR	(1)			
84		AMPLIFIER (WITH ATEX KIT)	(1)			

AS100

* 1, 2, 4... : Quantity in equipment - (1), (2), (4)... : Quantity in kit

Item	Available	Description	Qty*	Ref.	Maintenance kit	Wear part
131	◆	VACUUM KIT BY CONNECTION TO THE INLET FLANGE	1	311922.00		
15	◆	WINDOW ADAPTOR	1	218647		
15A	◆	WINDOW	1	220208		
37		SCREW	(12)			
37A		SCREW	(6)			
38A		SEAL WASHER	(6)			
46	◆	WINDOW SEAL EPDM	1	217400		
46A	◆	WINDOW SEAL EPDM	1	217040		
50		ELBOW 90°	(1)			
71		NIPPLE	(1)			
72		T JUNCTION	(1)			
73		ELBOW 90°	(1)			
74		NIPPLE	(1)			
75		VALVE	(1)			
76		NIPPLE	(1)			
77		NIPPLE	(1)			
79		VALVE	(1)			
80		ADAPTATER	(2)			
81		HOSE	(1)			
82		HOSE CLAMP	(2)			
83		VACUUMING FLANGE	(1)			
131	◆	EJECTOR VACUUM KIT FOR A100_AS100_AS125 PUMPS	1	311904.00		
15	◆	WINDOW ADAPTOR	1	218647		
15A	◆	WINDOW	1	220208		
37		SCREW	(12)			
37A		SCREW	(6)			
38A		SEAL WASHER	(6)			
46	◆	WINDOW SEAL EPDM	1	217400		
46A	◆	WINDOW SEAL EPDM	1	217040		
50		ELBOW 90°	(1)			
71		NIPPLE	(1)			
72		T JUNCTION	(1)			
73		ELBOW 90°	(1)			
74		NIPPLE	(1)			
75		VALVE	(1)			
76		NIPPLE	(1)			
78A	◆	EJECTOR	1	217749		
1100G	◆	LUBRICANT - GLYCERIN (CAN 30L)	2	314224.00	■	●
1100N	◆	LUBRICANT - GLYCERIN (CAN 10L)	1	314223.00		●