

PARTS LIST

PUMP

SLP25 i

Keep this parts lists with Installation, Operation and Maintenance Instructions.

To order the required spare parts, indicate the desired Reference(s).

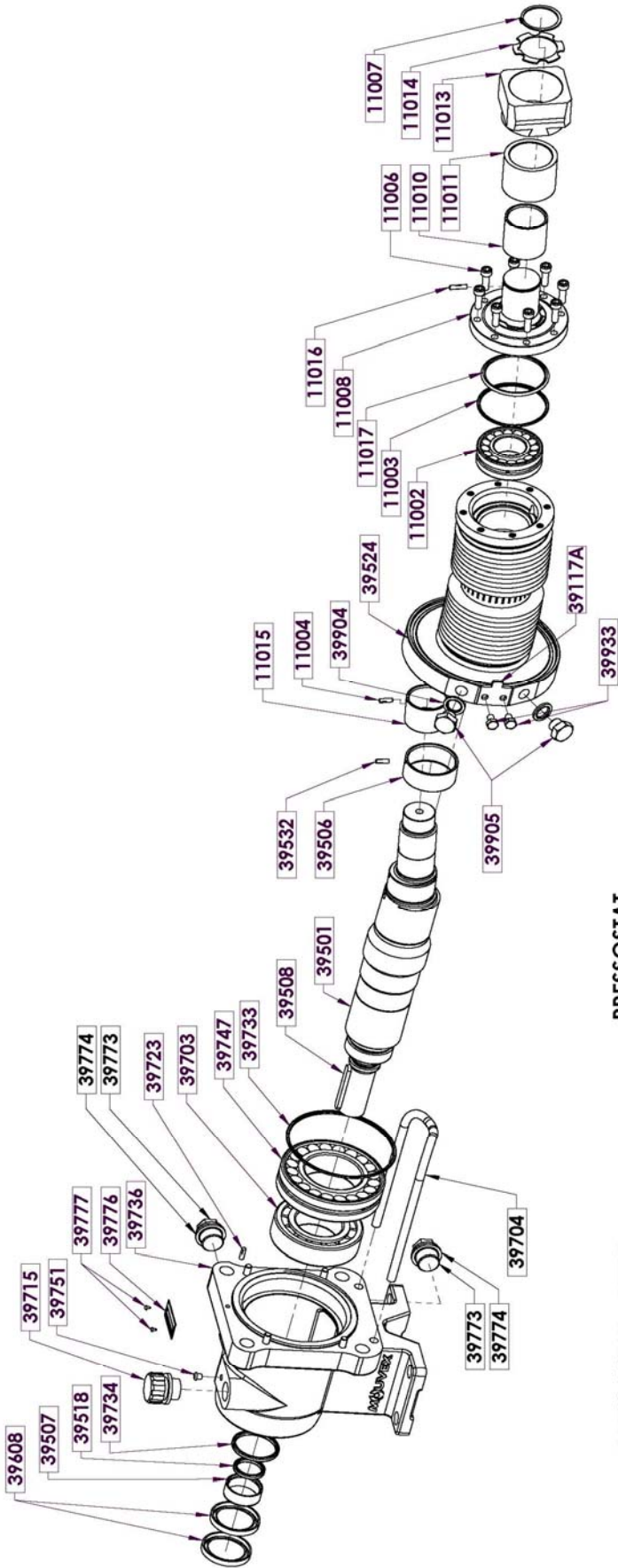
- ◆ Sets of parts or parts available to order.

CVT : FEP encapsulated FKM

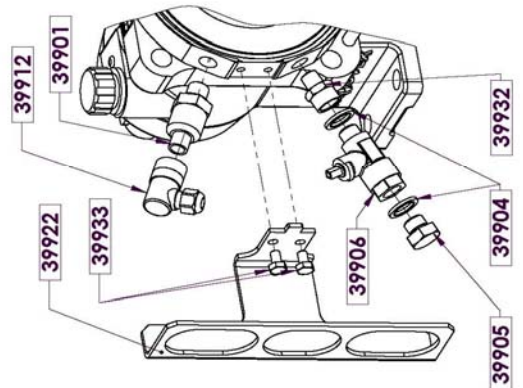
SLP25 i



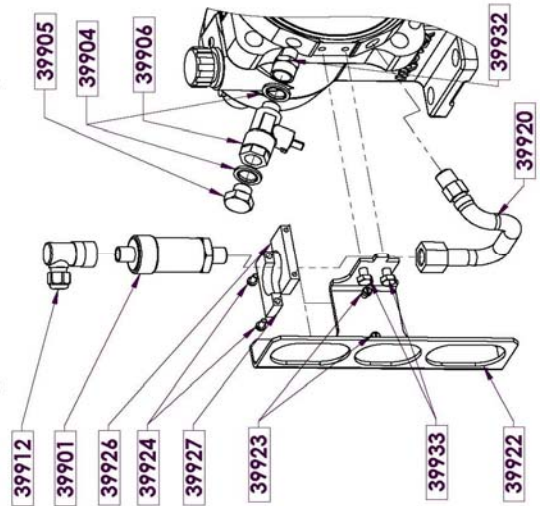
Transmission SL MECH D 135



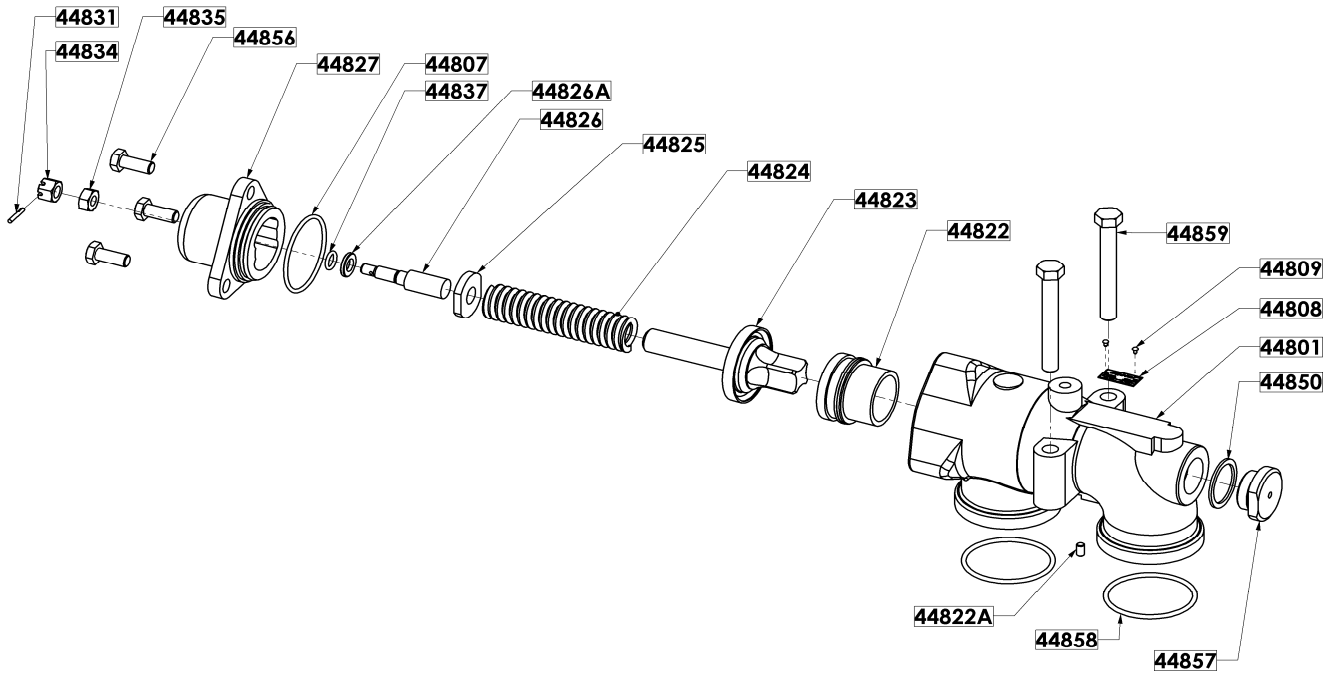
PRESSOSTAT
(PRESSURE SWITCH)



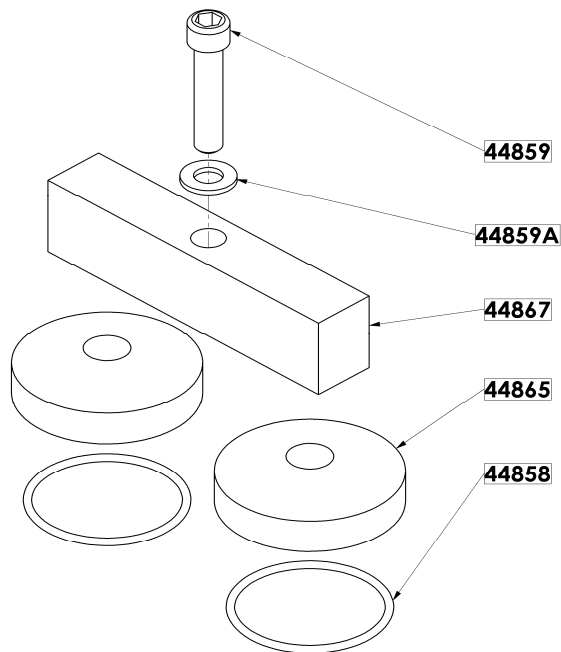
PRESSOSTAT - ATEX
(PRESSURE SWITCH - ATEX)



Bypass



Stirrup



SLP25 i

* 1, 2, 4... : Quantity in equipment - (1), (2), (4)... : Quantity in kit

Item	Available	Description	Qty*	Ref.	Maintenance kit	Wear part
11097 11006	◆	FULL SET OF SQUARE DRIVER HUB SCREWS SCREW	1 (8)	315336.00		
11098 11114 11114A 11115 11116 21013 21014 44410 44411	◆	FULL SET OF PUMP SCREWS SCREW SCREW WASHER SCREW SCREW NUT SCREW SCREW	1 (4) (4) (4) (16) (4) (4) (10) (2)	318963.00		
11099 11007 11008 11010 11011 11013 11014 11016	◆ ◆	SQUARE DRIVER HUB AND SQUARE BUSHING KIT CIRCLIPS SQUARE DRIVER HUB BUSHING BUSHING SQUARE BUSHING FLANGE PIN	1 (1) 1 (1) (1) (1) (1) (1)	315037.00 226822		
11100 11101 11107 11118 11120 11122 11123 11124	◆	SLP25 ADAPTATION KIT MAIN BODY BUSHING FLANGE ADAPTATION BASE PIN CONNECTING TUBE PIN	1 (1) (1) (1) (1) (1) (1) (1)	318959.00		
11100 11101 11107 11120 11122 11123 11124 11125 11126 11127 11130 11131	◆	SLP25 ADAPTATION KIT _ SUCTION RIGHT_LEFT MAIN BODY BUSHING ADAPTATION BASE PIN CONNECTING TUBE PIN FLANGE SCREW NUT ADAPTATION GASKET	1 (1) (1) (1) (1) (1) (1) (1) (1) (4) (4) (1) (1)	318986.00		
11400 44401 44407 44408 44423	◆	COMPLETE FRONT COVER FRONT COVER BUSHING FRONT COVER INSERT PIN	1 (1) (1) (1) (1)	315261.00		
39009 39507 39518 39608 39715 39774	◆	GASKETS_BUSHING_PLUG KIT FOR SLP25 BEARING RING SEAL LIP SEAL BREATHER SEAL	1 (1) (1) (2) (1) (2)	318992.00		
39596 39596 39596	◆ ◆ ◆	COMPLETE TRANSMISSION : WITHOUT BELLOWS MONITORING SYSTEM WITH PRESSURE SWITCH BELLOWS MONITORING SYSTEM WITH ATEX PRESSURE SWITCH BELLOWS MONITORING SYSTEM	1 1 1	318984.00 318958.00 318982.00	■ ■ ■	● ● ●

SLP25 i

* 1, 2, 4... : Quantity in equipment - (1), (2), (4)... : Quantity in kit

Item	Available	Description	Qty*	Ref.	Maintenance kit	Wear part
44099	◆	SET OF SEALS FOR PUMP - CVT	1	319079.00	■	●
11003		SEAL	(1)			
11017		SEAL	(1)			
11104		SEAL	(1)			
11117		SEAL	(2)			
21012		GASKET	(1)			
39113		SEAL	(1)			
44403		SEAL	(2)			
44714		SEAL FEP-FKM	(1)			
44101	◆	BODY	1	214330		
44301	◆	ROTOR	1	214331		
44309	◆	SET OF 6 VANES TVP	1	315257.00	■	●
44309	◆	SET OF 6 VANES TVP WITH HOLES	1	315258.00	■	●
44317		VANE	(6)			
44325	◆	SET OF 3 PUSHRODS	1	314086.00	■	
44318		PUSHROD	(3)			
44420	◆	SET OF CARBON BUSHINGS	1	315335.00	■	●
11011		BUSHING	(1)			
11107		BUSHING	(1)			
44407		BUSHING	(1)			
44424	◆	SET OF CARBON DISCS SLP25	1	315263.00	■	●
44422		FRONT COVER DISC	(2)			
44500	◆	DRIVE_SHAFT COMPLETE	1	315265.00		
11105		DRIVER	(1)			
11108		BUSHING	(1)			
11109		PIN	(1)			
11110		CIRCLIPS	(1)			
11112		KEY	(1)			
11119		CIRCLIPS	(1)			
44501		SHAFT	(1)			
44536		KEY	(2)			
44712	◆	FRONT COVER COVER	1	214336		

SLP25 i

* 1, 2,4... : Quantity in equipment - (1), (2), (4)... : Quantity in kit

Item	Available	Description	Qty*	Ref.	Maintenance kit	Wear part
		Bypass (without Spring 44824 and without Complete plug 44866) :				
44820	◆	SINGLE BYPASS, COMPLETE (WITHOUT SPRING) - CVT	1	315268.00		
44108		VALVE SEAT	(1)			
44115		BYPASS ORIENTATION PLATE	(1)			
44116		PIN	(2)			
44125		SCREW	(1)			
44801		BYPASS BODY	(1)			
44823		VALVE	(1)			
44826A		WASHER	(1)			
44827	◆	BYPASS CAP	1	214357		
44858	◆	SEAL FEP-FKM	2	215301		●
44859		SCREW	(2)			
44898		PRESSURE SCREW ASSEMBLY - CVT	(1)			
44807		SEAL	(1)			●
44825		SPRING BASE	(1)			
44826		ADJUSTING SCREW	(1)			
44831		PIN	(1)			
44834		NUT	(1)			
44835		NUT	(1)			
44837		SEAL	(1)			●
44856		SCREW	(3)			
44824	◆	2_4 BAR SPRING	1	214367		
44824	◆	4_7 BAR SPRING	1	215298		
44824	◆	7_12 BAR SPRING	1	215299		
44866	◆	COMPLETE PLUG	1	315270.00		
44850		SEAL	(1)			●
44857		PLUG	(1)			
44899	◆	SET OF BYPASS SEALS - CVT	1	315333.00		
44807		SEAL	(1)			●
44837		SEAL	(1)			●
44850		SEAL	(1)			●
44858	◆	SEAL FEP-FKM	2	215301		●
44868	◆	COMPLETE STIRRUP - CVT	1	318990.00		
44858	◆	SEAL FEP-FKM	2	215301		●
44859		SCREW	(1)			
44859A		WASHER	(1)			
44865		PLUG	(2)			
44867		STIRRUP	(1)			
44899	◆	SET OF SEALS FOR STIRRUP - CVT	1	315334.00		
44858	◆	SEAL FEP-FKM	2	215301		●