



P.L. : 1010-D01

Effective	September 2017
Replaces	September 2016

PARTS LIST

PUMPS

CC8-40 A - CC8-50 A - CC8-65 A

Keep this parts lists with Installation, Operation and Maintenance Instructions.

To order the required spare parts, indicate the desired Reference(s).

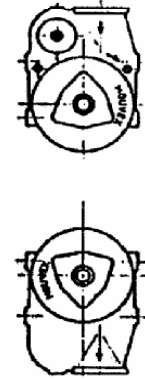
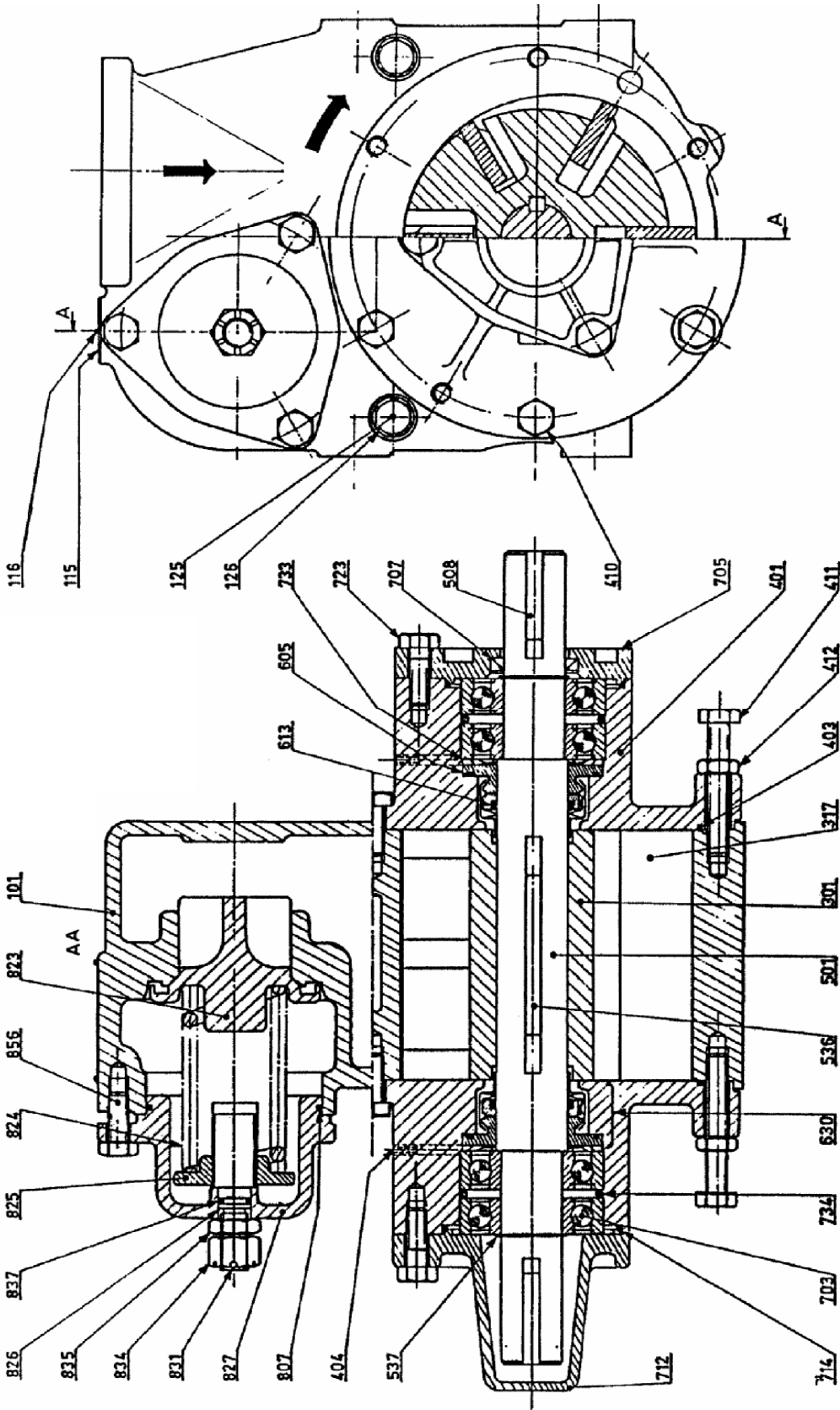
- ◆ Sets of parts or parts available to order.

Z.I. la Plaine des Isles - 2 rue des Caillottes F-89000 AUXERRE - France

Tel : +33 (0)3 86 49 86 30 • Fax : +33 (0)3 86 49 87 17

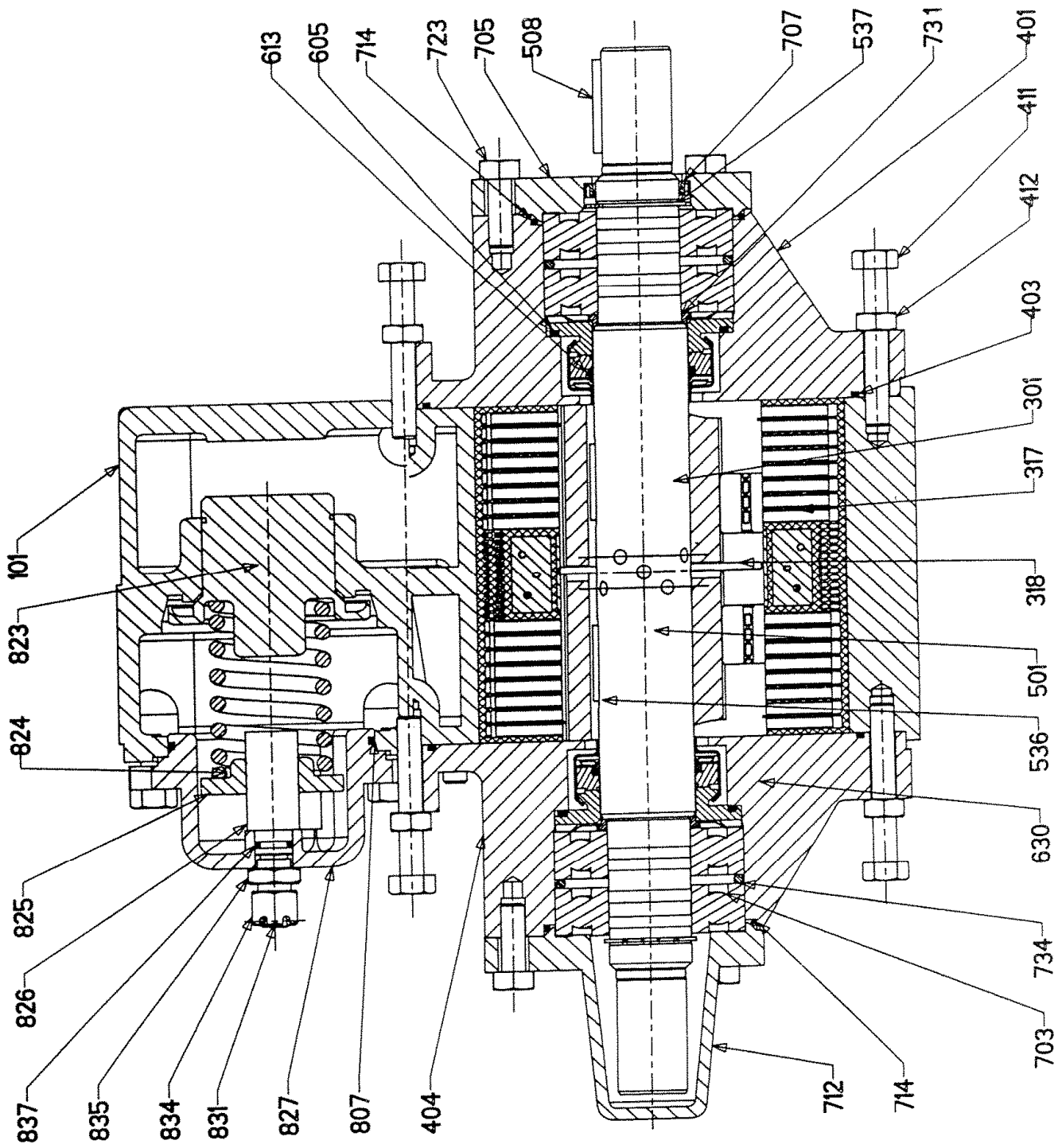
contact@mouvex.com • www.mouvex.com

CC8-40 A - CC8-50 A - CC8-65 A

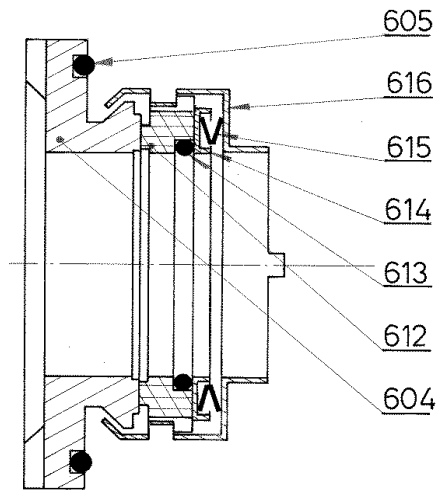


Position of end plates

CC8-40 AP & CC8-50 AP with 12 vanes and pushrods

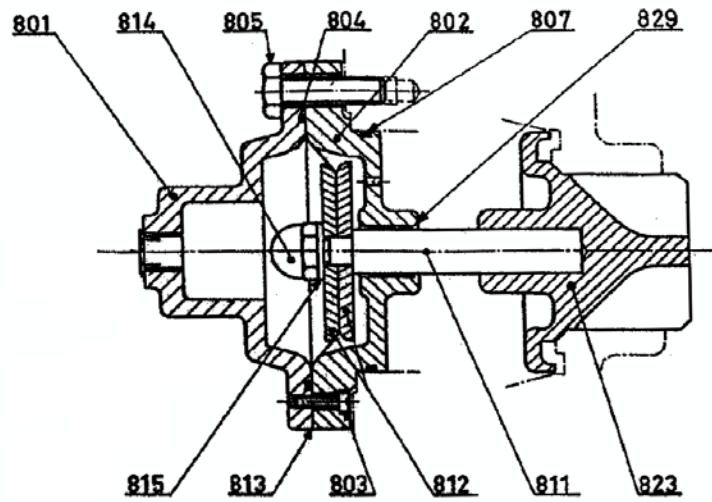


Mechanical seal

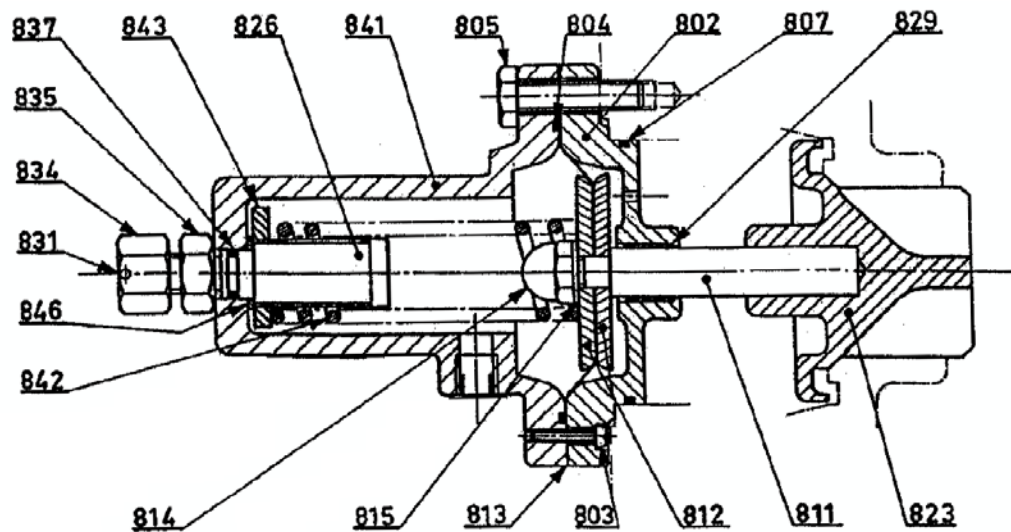


Pneumatic bypass

Without spring

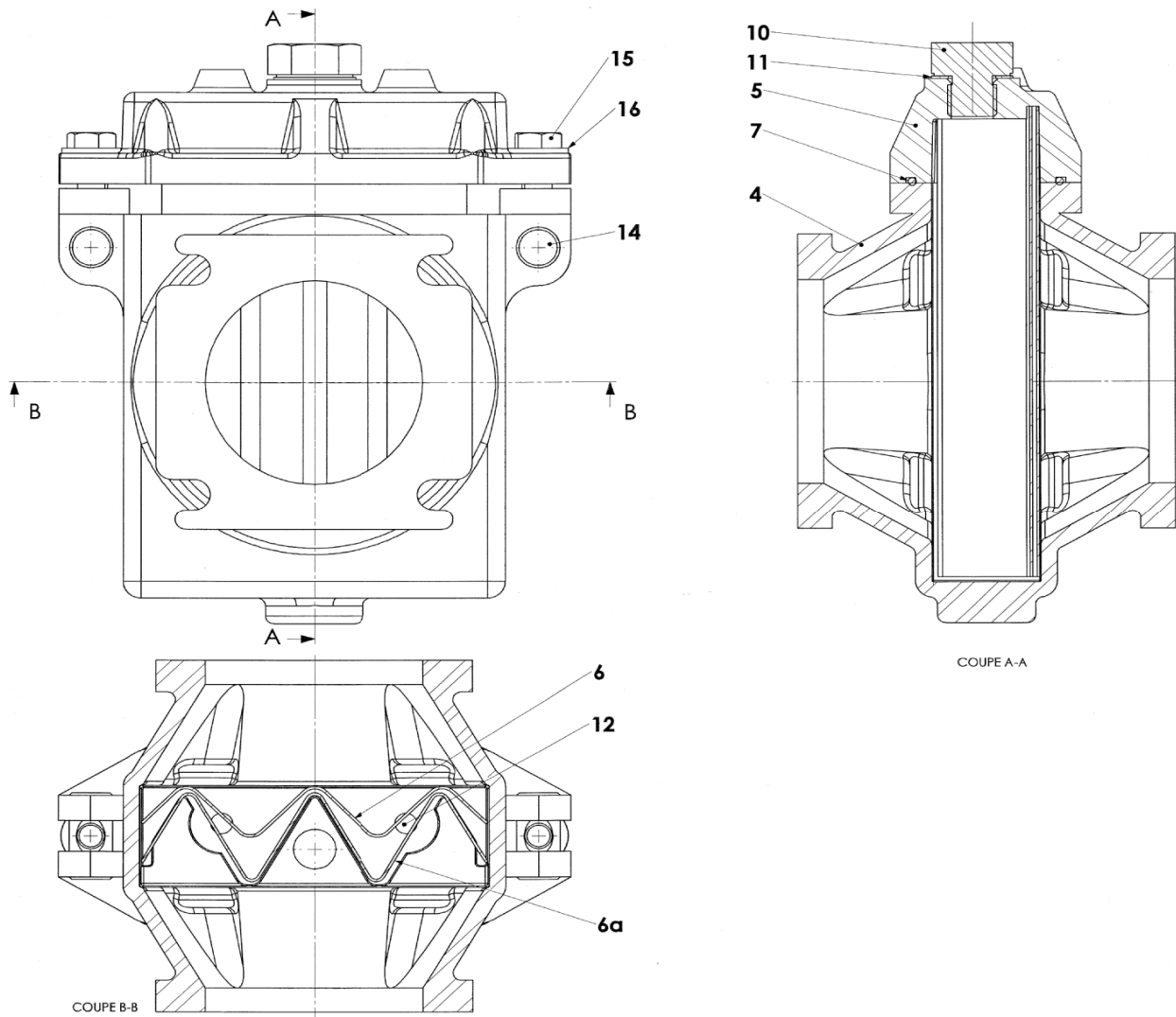


With spring

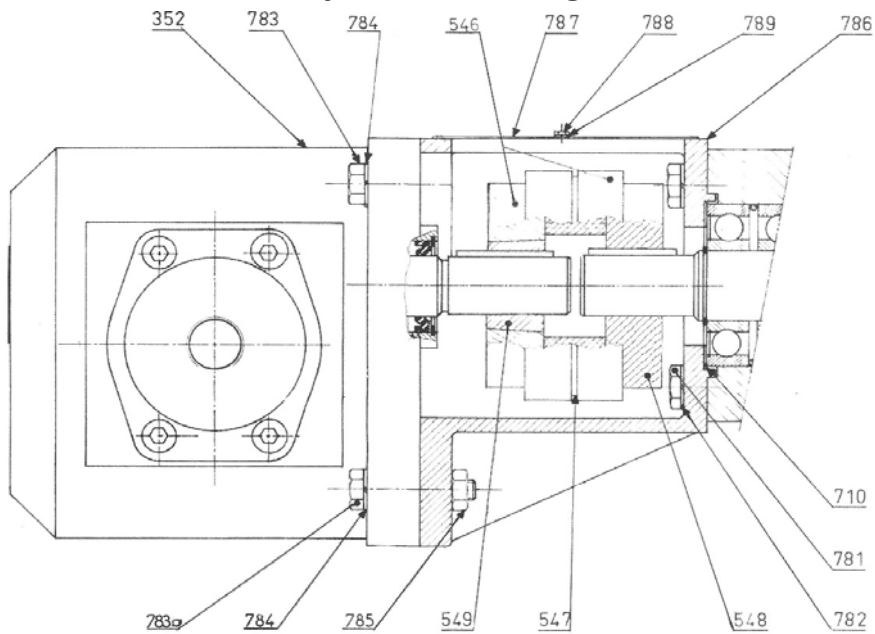


ACCESSORIES

Filter PF CC8



Hydraulic driving



CC8-40 A

* 1, 2, 4... : Quantity in equipment - (1), (2), (4)... : Quantity in kit

Item	Available	Description	Qty*	Ref.	Maintenance kit	Wear part
98	◆	SET OF SCREWS	1	304570.00		
410		SCREW	(8)			
411		SCREW	(4)			
412		NUT	(4)			
723		SCREW	(6)			
856		SCREW	(3)			
98C	◆	FRONT COVER EXTRACTOR CC8_28 40 50 65	1	316025.00		
99	◆	SET OF PUMP SEALS	1	302468.00		
126		SEAL	(2)			
403		O-RING	(2)			
807		O-RING	(1)			
100	◆	CASING ASSEMBLY	1	305707.00		
101		BODY	(1)			
124	◆	FRONT COVER DRAIN PLUG + SEALS	1	301861.00		
125		SCREW	(2)			
126		SEAL	(2)			
300	◆	ROTOR ASSEMBLY (6 VANES WITH HOLES)	1	305708.00		
300	◆	ROTOR ASSEMBLY (6 VANES)	1	301883.00		
301		ROTOR	(1)			
317		VANE	(6)			●
300	◆	ROTOR ASSEMBLY (12 VANES WITH HOLES)	1	307782.00		
300	◆	ROTOR ASSEMBLY (12 VANES)	1	307781.00		
301		ROTOR	(1)			
317		VANE	(12)			●
318		PUSHROD	(6)			●
309	◆	SET OF 6 VANES WITH HOLES	1	305705.00	■	
309	◆	SET OF 6 VANES	1	304369.00	■	
317		VANE	(6)			●
309	◆	SET OF 12 VANES TVP WITH HOLES	1	307787.00	■	
309	◆	SET OF 12 VANES TVP	1	307788.00	■	
317		VANE	(12)			●
325	◆	SET OF 6 PUSHRODS	1	316942.00	■	
318		PUSHROD	(6)			●
400	◆	END PLATE ASSEMBLY	2	301880.00		
401		FRONT COVER	(1)			
410		SCREW	(4)			
411		SCREW	(2)			
412		NUT	(2)			
708		GREASE NIPPLE	(2)			
409	◆	SET OF FRONT COVER O-RINGS	1	304366.00	■	
403		O-RING	(2)			
500	◆	SHAFT ASSEMBLY (WITHOUT PUSHRODS)	1	301885.02		
501		SHAFT	(1)			
599	◆	SET OF KEYS	1	302467.00	■	
508		KEY	(1)			
536		KEY	(1)			
537		CIRCLIPS	(2)			
500	◆	SHAFT COMPLETE FOR PUMP WITH PUSHRODS	1	307081.00		
501		SHAFT	(1)			
599	◆	SET OF KEYS - PUMP WITH PUSHRODS	1	307084.00	■	
508		KEY	(1)			
536		KEY	(2)			
537		CIRCLIPS	(2)			
731		WASHER	(2)			

CC8-40 A

* 1, 2, 4... : Quantity in equipment - (1), (2), (4)... : Quantity in kit

Item	Available	Description	Qty*	Ref.	Maintenance kit	Wear part
630	◆	MECHANICAL SEAL ASSEMBLY - FKM	2	301867.01	■	●
604		STATIONARY SEAL FACE	(1)			●
605		O-RING	(1)			●
612		SEAL HOUSING	(1)			●
613		O-RING	(1)			●
614		SPRING GUIDE	(1)			
615		SPRING	(3)			
616		CAGE	(1)			
699	◆	SET OF MECHANICAL SEAL O'RINGS (605+613)	1	308520.03		●
605		O-RING	(1)			●
613		O-RING	(1)			●
700	◆	COMPLETE COVER SIDE OPPOSITE TO DRIVE SYSTEM CC8-40-50	1	304699.00		●
703		BALL BEARING	(2)			●
712		COVER	(1)			
714		O-RING	(1)			
723		SCREW	(3)			
733		METALLIC SEAL	(1)			
734		SPACER	(1)			
700A	◆	COMPLETE COVER CC8 28-40-50	1	304700.00		●
703A		BALL BEARING	(2)			
705		COVER	(1)			
707		LIP SEAL	(1)			●
714A		O-RING	(1)			
723A		SCREW	(3)			
733A		METALLIC SEAL	(1)			
734A		SPACER	(1)			
700A	◆	BEARING ASSEMBLY (FOR HYDRAULIC DRIVE)	1	305516.02		
703A		BALL BEARING	(2)			
733A		METALLIC SEAL	(1)			
734A		SPACER	(1)			
704	◆	SET OF 4 BALL BEARINGS	1	312102.04	■	●
703		BALL BEARING	(4)			
704A	◆	SET OF PLUGS 404	1	312103.04		
404		PLUG	(2)			
715	◆	SET OF COVER SEALS (707+714+733)	1	304720.00	■	●
707		LIP SEAL	(1)			●
714		O-RING	(2)			
733		METALLIC SEAL	(2)			
771	◆	HYDRAULIC TRUNK ASSEMBLY	1	304155.02		
546A	◆	COMPLETE COUPLING	1	307286.00		
546		COUPLING FLANGE	(1)			
547	◆	ELASTIC TRANSITIONAL RING	1	209603		●
548		COUPLING FLANGE D30	(1)			
549		COUPLING SLEEVE D24	(1)			
549A		COUPLING SLEEVE D22	(1)			
710	◆	SHIM	1	204831		
781		SCREW	(3)			
782		WASHER	(3)			
783		SCREW	(2)			
783A		SCREW	(2)			
784		WASHER	(4)			
785		NUT	(2)			
786	◆	HYDRAULIC TRUNK	1	228594		
787		COVER	(1)			
788		SCREW	(2)			
789		WASHER	(2)			

CC8-40 A

* 1, 2, 4... : Quantity in equipment - (1), (2), (4)... : Quantity in kit

Item	Available	Description	Qty*	Ref.	Maintenance kit	Wear part
800	◆	PNEUMATIC BYPASS WITHOUT SPRING WITHOUT PRESSURE LIMITER	1	311232.04		
801		COVER	(1)			
802		PLATE	(1)			
803		SCREW	(2)			
804		O-RING	(1)			
805		SCREW	(3)			
807		O-RING	(1)			
810	◆	MEMBRANE PUSHRODS ASSEMBLY CC8 40-50-65 A	1	301898.03		
811		SHAFT	(1)			
812		MEMBRANE DISC	(2)			
813	◆	MEMBRANE	1	204848	■	●
814		BLIND NUT	(1)			
815		SEAL	(1)			
823	◆	VALVE	1	218445		
829		BEARING	(1)			
800	◆	PNEUMATIC BYPASS WITHOUT SPRING WITH PRESSURE LIMITER	1	301897.03		
801		COVER	(1)			
802		PLATE	(1)			
803		SCREW	(2)			
804		O-RING	(1)			
805		SCREW	(3)			
807		O-RING	(1)			
810	◆	MEMBRANE PUSHRODS ASSEMBLY CC8 40-50-65 A	1	301898.03		
811		SHAFT	(1)			
812		MEMBRANE DISC	(2)			
813	◆	MEMBRANE	1	204848	■	●
814		BLIND NUT	(1)			
815		SEAL	(1)			
823	◆	VALVE	1	218445		
829		BEARING	(1)			
930	◆	PRESSURE LIMITER 5,5 BAR	1	303353.00		
816	◆	PNEUMATIC BYPASS O'RINGS (804+807)	1	301899.00		
804		O-RING	(1)			
807		O-RING	(1)			
820	◆	COMPLETE MECHANICAL BYPASS	1	301891.01		
823A	◆	COMPENSATED VALVE	1	204839		
827		BYPASS CAP	(1)			
898	◆	PRESSURE SCREW ASSEMBLY	1	301893.01		
807A		O-RING	(1)			
825		SPRING BASE	(1)			
826		ADJUSTING SCREW	(1)			
831		PIN	(1)			
834		NUT	(1)			
835		NUT	(1)			
837		O-RING	(1)			
856		SCREW	(3)			

CC8-40 A

* 1, 2, 4... : Quantity in equipment - (1), (2), (4)... : Quantity in kit

Item	Available	Description	Qty*	Ref.	Maintenance kit	Wear part
820	◆	PNEUMATIC BYPASS WITH SPRING WITHOUT PRESSURE LIMITER	1	311545.00		
802		PLATE	(1)			
803		SCREW	(2)			
804		O-RING	(1)			
805		SCREW	(3)			
807		O-RING	(1)			
810	◆	MEMBRANE PUSHRODS ASSEMBLY CC8 40-50-65 A	1	301898.03		
811		SHAFT	(1)			
812		MEMBRANE DISC	(2)			
813	◆	MEMBRANE	1	204848	■	●
814		BLIND NUT	(1)			
815		SEAL	(1)			
823	◆	VALVE	1	211605		
829		BEARING	(1)			
841		CAP	(1)			
845	◆	PRESSURE SCREW ASSEMBLY	1	301901.01		
826		ADJUSTING SCREW	(1)			
831		PIN	(1)			
834		NUT	(1)			
835		NUT	(1)			
837		O-RING	(1)			
842	◆	SPRING	1	201222		
843		SPRING GUIDE	(1)			
846		WASHER	(1)			
824	◆	SPRING 4 BAR	1	219106		
824	◆	8 BAR SPRING	1	204891		
840	◆	PNEUMATIC BYPASS WITH SPRING WITH PRESSURE LIMITER	1	301900.04		
802A		PLATE	(1)			
803		SCREW	(2)			
804		O-RING	(1)			
805		SCREW	(3)			
807		O-RING	(1)			
810	◆	MEMBRANE PUSHRODS ASSEMBLY CC8 40-50-65 A	1	301898.03		
811		SHAFT	(1)			
812		MEMBRANE DISC	(2)			
813	◆	MEMBRANE	1	204848	■	●
814		BLIND NUT	(1)			
815		SEAL	(1)			
823	◆	VALVE	1	211605		
829		BEARING	(1)			
841		CAP	(1)			
845	◆	PRESSURE SCREW ASSEMBLY	1	301901.01		
826		ADJUSTING SCREW	(1)			
831		PIN	(1)			
834		NUT	(1)			
835		NUT	(1)			
837		O-RING	(1)			
842	◆	SPRING	1	201222		
843		SPRING GUIDE	(1)			
846		WASHER	(1)			
930	◆	PRESSURE LIMITER 3,6 BAR	1	303352.00		

CC8-40 A

* 1, 2, 4... : Quantity in equipment - (1), (2), (4)... : Quantity in kit

Item	Available	Description	Qty*	Ref.	Maintenance kit	Wear part
844	◆	FULL SET OF SEALS + SCREWS	1	301902.00		
804		O-RING	(1)			
807		O-RING	(1)			
831		PIN	(1)			
834		NUT	(1)			
835		NUT	(1)			
837		O-RING	(1)			
899	◆	SET OF BYPASS SEALS	1	301895.00		
807		O-RING	(1)			
831		PIN	(1)			
834		NUT	(1)			
835		NUT	(1)			
837		O-RING	(1)			

CC8-50 A

* 1, 2, 4... : Quantity in equipment - (1), (2), (4)... : Quantity in kit

Item	Available	Description	Qty*	Ref.	Maintenance kit
98	◆	SET OF SCREWS	1	304570.00	
410		SCREW	(8)		
411		SCREW	(4)		
412		NUT	(4)		
723		SCREW	(6)		
856		SCREW	(3)		
98C	◆	FRONT COVER EXTRACTOR CC8_28 40 50 65	1	316025.00	
99	◆	SET OF PUMP SEALS	1	302468.00	
126		SEAL	(2)		
403		O-RING	(2)		
807		O-RING	(1)		
100	◆	CASING ASSEMBLY	1	301882.00	
101		BODY	(1)		
124	◆	FRONT COVER DRAIN PLUG + SEALS	1	301861.00	
125		SCREW	(2)		
126		SEAL	(2)		
300	◆	ROTOR ASSEMBLY (6 VANES WITH HOLES)	1	305708.00	
300	◆	ROTOR ASSEMBLY (6 VANES)	1	301883.00	
301		ROTOR	(1)		
317		VANE	(6)		
300	◆	ROTOR ASSEMBLY (12 VANES)	1	311320.04	
300	◆	ROTOR ASSEMBLY (12 VANES WITH HOLES)	1	306000.01	
301		ROTOR	(1)		
317		VANE	(12)		
318		PUSHROD	(6)		
309	◆	SET OF 6 VANES WITH HOLES	1	305705.00	■
309	◆	SET OF 6 VANES	1	304369.00	■
317		VANE	(6)		
309	◆	SET OF 12 VANES TVP WITH HOLES	1	307787.00	■
309	◆	SET OF 12 VANES TVP	1	307788.00	■
317		VANE	(12)		
325	◆	SET OF 6 PUSHRODS	1	308722.01	■
318		PUSHROD	(6)		
400	◆	END PLATE ASSEMBLY	2	301880.00	
401		FRONT COVER	(1)		
410		SCREW	(4)		
411		SCREW	(2)		
412		NUT	(2)		
708		GREASE NIPPLE	(2)		
409	◆	SET OF FRONT COVER O-RINGS	1	304366.00	■
403		O-RING	(2)		
500	◆	SHAFT ASSEMBLY (WITHOUT PUSHRODS)	1	301885.02	
501		SHAFT	(1)		
599	◆	SET OF KEYS	1	302467.00	■
508		KEY	(1)		
536		KEY	(1)		
537		CIRCLIPS	(2)		
500	◆	SHAFT COMPLETE FOR PUMP WITH PUSHRODS	1	307081.00	
501		SHAFT	(1)		
599	◆	SET OF KEYS - PUMP WITH PUSHRODS	1	307084.00	■
508		KEY	(1)		
536		KEY	(2)		
537		CIRCLIPS	(2)		
731		WASHER	(2)		

CC8-50 A

* 1, 2, 4... : Quantity in equipment - (1), (2), (4)... : Quantity in kit

Item	Available	Description	Qty*	Ref.	Maintenance kit
630	◆	MECHANICAL SEAL ASSEMBLY - FKM	2	301867.01	■
604		STATIONARY SEAL FACE	(1)		
605		O-RING	(1)		
612		SEAL HOUSING	(1)		
613		O-RING	(1)		
614		SPRING GUIDE	(1)		
615		SPRING	(3)		
616		CAGE	(1)		
699	◆	SET OF MECHANICAL SEAL O'RINGS (605+613)	1	308520.03	
605		O-RING	(1)		
613		O-RING	(1)		
700	◆	COMPLETE COVER SIDE OPPOSITE TO DRIVE SYSTEM CC8-40-50	1	304699.00	
703		BALL BEARING	(2)		
712		COVER	(1)		
714		O-RING	(1)		
723		SCREW	(3)		
733		METALLIC SEAL	(1)		
734		SPACER	(1)		
700A	◆	COMPLETE COVER CC8 28-40-50	1	304700.00	
703A		BALL BEARING	(2)		
705		COVER	(1)		
707		LIP SEAL	(1)		
714A		O-RING	(1)		
723A		SCREW	(3)		
733A		METALLIC SEAL	(1)		
734A		SPACER	(1)		
700A	◆	BEARING ASSEMBLY (FOR HYDRAULIC DRIVE)	1	305516.02	
703A		BALL BEARING	(2)		
733A		METALLIC SEAL	(1)		
734A		SPACER	(1)		
704	◆	SET OF 4 BALL BEARINGS	1	312102.04	■
703		BALL BEARING	(4)		
704A	◆	SET OF PLUGS 404	1	312103.04	
404		PLUG	(2)		
715	◆	SET OF COVER SEALS (707+714+733)	1	304720.00	■
707		LIP SEAL	(1)		
714		O-RING	(2)		
733		METALLIC SEAL	(2)		
771	◆	HYDRAULIC TRUNK ASSEMBLY	1	304155.02	
546A	◆	COMPLETE COUPLING	1	307286.00	
546		COUPLING FLANGE	(1)		
547	◆	ELASTIC TRANSITIONAL RING	1	209603	
548		COUPLING FLANGE D30	(1)		
549		COUPLING SLEEVE D24	(1)		
549A		COUPLING SLEEVE D22	(1)		
710	◆	SHIM	1	204831	
781		SCREW	(3)		
782		WASHER	(3)		
783		SCREW	(2)		
783A		SCREW	(2)		
784		WASHER	(4)		
785		NUT	(2)		
786	◆	HYDRAULIC TRUNK	1	228594	
787		COVER	(1)		
788		SCREW	(2)		
789		WASHER	(2)		

CC8-50 A

* 1, 2, 4... : Quantity in equipment - (1), (2), (4)... : Quantity in kit

Item	Available	Description	Qty*	Ref.	Maintenance kit
800	◆	PNEUMATIC BYPASS WITHOUT SPRING WITHOUT PRESSURE LIMITER	1	311232.04	
801		COVER	(1)		
802		PLATE	(1)		
803		SCREW	(2)		
804		O-RING	(1)		
805		SCREW	(3)		
807		O-RING	(1)		
810	◆	MEMBRANE PUSHRODS ASSEMBLY CC8 40-50-65 A	1	301898.03	
811		SHAFT	(1)		
812		MEMBRANE DISC	(2)		
813	◆	MEMBRANE	1	204848	■
814		BLIND NUT	(1)		
815		SEAL	(1)		
823	◆	VALVE	1	218445	
829		BEARING	(1)		
800	◆	PNEUMATIC BYPASS WITHOUT SPRING WITH PRESSURE LIMITER	1	301897.03	
801		COVER	(1)		
802		PLATE	(1)		
803		SCREW	(2)		
804		O-RING	(1)		
805		SCREW	(3)		
807		O-RING	(1)		
810	◆	MEMBRANE PUSHRODS ASSEMBLY CC8 40-50-65 A	1	301898.03	
811		SHAFT	(1)		
812		MEMBRANE DISC	(2)		
813	◆	MEMBRANE	1	204848	■
814		BLIND NUT	(1)		
815		SEAL	(1)		
823	◆	VALVE	1	218445	
829		BEARING	(1)		
930	◆	PRESSURE LIMITER 5,5 BAR	1	303353.00	
816	◆	PNEUMATIC BYPASS O'RINGS (804+807)	1	301899.00	
804		O-RING	(1)		
807		O-RING	(1)		
820	◆	COMPLETE MECHANICAL BYPASS	1	301891.01	
823A	◆	COMPENSATED VALVE	1	204839	
827		BYPASS CAP	(1)		
898	◆	PRESSURE SCREW ASSEMBLY	1	301893.01	
807A		O-RING	(1)		
825		SPRING BASE	(1)		
826		ADJUSTING SCREW	(1)		
831		PIN	(1)		
834		NUT	(1)		
835		NUT	(1)		
837		O-RING	(1)		
856		SCREW	(3)		

CC8-50 A

* 1, 2, 4... : Quantity in equipment - (1), (2), (4)... : Quantity in kit

Item	Available	Description	Qty*	Ref.	Maintenance kit
820	◆	PNEUMATIC BYPASS WITH SPRING WITHOUT PRESSURE LIMITER	1	311545.00	
802		PLATE	(1)		
803		SCREW	(2)		
804		O-RING	(1)		
805		SCREW	(3)		
807		O-RING	(1)		
810	◆	MEMBRANE PUSHRODS ASSEMBLY CC8 40-50-65 A	1	301898.03	
811		SHAFT	(1)		
812		MEMBRANE DISC	(2)		
813	◆	MEMBRANE	1	204848	■
814		BLIND NUT	(1)		
815		SEAL	(1)		
823	◆	VALVE	1	211605	
829		BEARING	(1)		
841		CAP	(1)		
845	◆	PRESSURE SCREW ASSEMBLY	1	301901.01	
826		ADJUSTING SCREW	(1)		
831		PIN	(1)		
834		NUT	(1)		
835		NUT	(1)		
837		O-RING	(1)		
842	◆	SPRING	1	201222	
843		SPRING GUIDE	(1)		
846		WASHER	(1)		
824	◆	SPRING 4 BAR	1	219106	
824	◆	8 BAR SPRING	1	204891	
840	◆	PNEUMATIC BYPASS WITH SPRING WITH PRESSURE LIMITER	1	301900.04	
802A		PLATE	(1)		
803		SCREW	(2)		
804		O-RING	(1)		
805		SCREW	(3)		
807		O-RING	(1)		
810	◆	MEMBRANE PUSHRODS ASSEMBLY CC8 40-50-65 A	1	301898.03	
811		SHAFT	(1)		
812		MEMBRANE DISC	(2)		
813	◆	MEMBRANE	1	204848	■
814		BLIND NUT	(1)		
815		SEAL	(1)		
823	◆	VALVE	1	211605	
829		BEARING	(1)		
841		CAP	(1)		
845	◆	PRESSURE SCREW ASSEMBLY	1	301901.01	
826		ADJUSTING SCREW	(1)		
831		PIN	(1)		
834		NUT	(1)		
835		NUT	(1)		
837		O-RING	(1)		
842	◆	SPRING	1	201222	
843		SPRING GUIDE	(1)		
846		WASHER	(1)		
930	◆	PRESSURE LIMITER 3,6 BAR	1	303352.00	

CC8-50 A

* 1, 2, 4... : Quantity in equipment - (1), (2), (4)... : Quantity in kit

Item	Available	Description	Qty*	Ref.	Maintenance kit
844	◆	FULL SET OF SEALS + SCREWS	1	301902.00	
804		O-RING	(1)		
807		O-RING	(1)		
831		PIN	(1)		
834		NUT	(1)		
835		NUT	(1)		
837		O-RING	(1)		
899	◆	SET OF BYPASS SEALS	1	301895.00	
807		O-RING	(1)		
831		PIN	(1)		
834		NUT	(1)		
835		NUT	(1)		
837		O-RING	(1)		

CC8-65 A

* 1, 2, 4... : Quantity in equipment - (1), (2), (4)... : Quantity in kit

Item	Available	Description	Qty*	Ref.	Maintenance kit	Wear part
98	◆	FULL SET OF SCREWS	1	301865.00		
410		SCREW	(8)			
411		SCREW	(4)			
412		NUT	(4)			
723		SCREW	(6)			
856		SCREW	(3)			
98C	◆	FRONT COVER EXTRACTOR CC8_28 40 50 65	1	316025.00		
99	◆	SET OF PUMP SEALS	1	301914.00		
126		SEAL	(2)			
403		O-RING	(2)			
807		O-RING	(1)			
100	◆	CASING ASSEMBLY	1	301908.00		
101		BODY	(1)			
124	◆	FRONT COVER DRAIN PLUG + SEALS	1	301861.00		
125		SCREW	(2)			
126		SEAL	(2)			
300	◆	ROTOR ASSEMBLY (6 VANES)	1	301909.00		
300	◆	ROTOR ASSEMBLY (6 VANES WITH HOLES)	1	302475.00		
301		ROTOR	(1)			
317		VANE	(6)			●
309	◆	SET OF 6 VANES	1	304377.00	■	
309	◆	SET OF 6 VANES WITH HOLES	1	304380.00	■	
317		VANE	(6)			●
400	◆	END PLATE ASSEMBLY	2	301911.00		
401		FRONT COVER	(1)			
404		PIN	(2)			
410		SCREW	(4)			
411		SCREW	(2)			
412		NUT	(2)			
409	◆	SET OF FRONT COVER O-RINGS	1	304378.00	■	
403		O-RING	(2)			
500	◆	SHAFT ASSEMBLY	1	301912.02		
501		SHAFT	(1)			
599	◆	SET OF KEYS	1	301913.00	■	
508		KEY	(1)			
536		KEY	(1)			
537		CIRCLIPS	(2)			
630	◆	MECHANICAL SEAL ASSEMBLY	2	301916.00	■	●
604		STATIONARY SEAL FACE	(1)			●
605		O-RING FKM	(1)			●
612		SEAL HOUSING	(1)			●
613		O-RING FKM	(1)			●
614		SPRING GUIDE	(1)			
615		SPRING	(3)			
616		CAGE	(1)			
699	◆	SET OF MECHANICAL SEAL SEALS	1	301918.00		●
605		O-RING FKM	(2)			●
613		O-RING FKM	(2)			●
700	◆	COMPLETE COVER SIDE OPPOSITE TO DRIVE SYSTEM CC8-65 A	1	304712.00		●
703		BALL BEARING	(2)			●
712		COVER	(1)			
714		O-RING	(1)			
723		SCREW	(3)			
733		METALLIC SEAL	(1)			
734		SPACER	(1)			

CC8-65 A

* 1, 2, 4... : Quantity in equipment - (1), (2), (4)... : Quantity in kit

Item	Available	Description	Qty*	Ref.	Maintenance kit	Wear part
700A	◆	COMPLETE COVER DRIVE SIDE CC8 65 A	1	304713.00		
703A		BALL BEARING	(2)			
705		COVER	(1)			
707		LIP SEAL	(1)			●
714A		O-RING	(1)			
723A		SCREW	(3)			
733A		METALLIC SEAL	(1)			
734A		SPACER	(1)			
700A	◆	BEARING ASSEMBLY (FOR HYDRAULIC DRIVE)	1	305518.02		
703B		BALL BEARING	(2)			
733B		METALLIC SEAL	(1)			
734B		SPACER	(1)			
704	◆	SET OF 4 BALL BEARINGS	1	304379.00	■	●
703		BALL BEARING	(4)			
721		SCREW	(4)			
715	◆	SET OF COVER SEALS (707+714+733)	1	304722.00	■	●
707		LIP SEAL	(1)			
714		O-RING	(2)			
733		METALLIC SEAL	(2)			
771	◆	HYDRAULIC TRUNK ASSEMBLY	1	304155.02		
546A	◆	COMPLETE COUPLING	1	307286.00		
546		COUPLING FLANGE	(1)			
547	◆	ELASTIC TRANSITIONAL RING	1	209603		●
548		COUPLING FLANGE D30	(1)			
549		COUPLING SLEEVE D24	(1)			
549A		COUPLING SLEEVE D22	(1)			
710	◆	SHIM	1	204831		
781		SCREW	(3)			
782		WASHER	(3)			
783		SCREW	(2)			
783A		SCREW	(2)			
784		WASHER	(4)			
785		NUT	(2)			
786	◆	HYDRAULIC TRUNK	1	228594		
787		COVER	(1)			
788		SCREW	(2)			
789		WASHER	(2)			
800	◆	PNEUMATIC BYPASS WITHOUT SPRING WITH PRESSURE LIMITER	1	304567.03		
801		COVER	(1)			
802		PLATE	(1)			
803		SCREW	(2)			
804		O-RING	(1)			
805		SCREW	(3)			
807		O-RING	(1)			
810	◆	MEMBRANE PUSHRODS ASSEMBLY CC8 40-50-65 A	1	301898.03		
811		SHAFT	(1)			
812		MEMBRANE DISC	(2)			
813	◆	MEMBRANE	1	204848	■	●
814		BLIND NUT	(1)			
815		SEAL	(1)			
823	◆	VALVE	1	218445		
829		BEARING	(1)			
930	◆	PRESSURE LIMITER 5,5 BAR	1	303353.00		
816	◆	PNEUMATIC BYPASS O'RINGS (804+807)	1	301899.00		
804		O-RING	(1)			
807		O-RING	(1)			

CC8-65 A

* 1, 2, 4... : Quantity in equipment - (1), (2), (4)... : Quantity in kit

Item	Available	Description	Qty*	Ref.	Maintenance kit	Wear part
820	◆	BYPASS COMPLETE	1	304571.00		
823A	◆	COMPENSATED VALVE	1	204839		
827		BYPASS CAP	(1)			
898	◆	PRESSURE SCREW ASSEMBLY	1	304566.00		
807A		O-RING	(1)			
825		SPRING BASE	(1)			
826A		ADJUSTING SCREW	(1)			
831		PIN	(1)			
834		NUT	(1)			
835		NUT	(1)			
837		O-RING	(1)			
856		SCREW	(3)			
824	◆	SPRING 4 BAR	1	219106		
824	◆	8 BAR SPRING	1	204891		
840	◆	PNEUMATIC BYPASS WITH SPRING WITH PRESSURE LIMITER	1	301900.04		
802A		PLATE	(1)			
803		SCREW	(2)			
804		O-RING	(1)			
805		SCREW	(3)			
807		O-RING	(1)			
810	◆	MEMBRANE PUSHRODS ASSEMBLY CC8 40-50-65 A	1	301898.03		
811		SHAFT	(1)			
812		MEMBRANE DISC	(2)			
813	◆	MEMBRANE	1	204848	■	●
814		BLIND NUT	(1)			
815		SEAL	(1)			
823	◆	VALVE	1	211605		
829		BEARING	(1)			
841		CAP	(1)			
845	◆	PRESSURE SCREW ASSEMBLY	1	301901.01		
826		ADJUSTING SCREW	(1)			
831		PIN	(1)			
834		NUT	(1)			
835		NUT	(1)			
837		O-RING	(1)			
842	◆	SPRING	1	201222		
843		SPRING GUIDE	(1)			
846		WASHER	(1)			
930	◆	PRESSURE LIMITER 3,6 BAR	1	303352.00		
844	◆	FULL SET OF SEALS + SCREWS	1	301902.00		
804		O-RING	(1)			
807		O-RING	(1)			
831		PIN	(1)			
834		NUT	(1)			
835		NUT	(1)			
837		O-RING	(1)			
899	◆	SET OF BYPASS SEALS	1	301895.00		
807		O-RING	(1)			
831		PIN	(1)			
834		NUT	(1)			
835		NUT	(1)			
837		O-RING	(1)			

ACCESSORIES

CC8-40 A - CC8-50 A - CC8-65 A

* 1, 2, 4... : Quantity in equipment - (1), (2), (4)... : Quantity in kit

Item	Available	Description	Qty*	Ref.	Maintenance kit	Wear part
		HYDRAULIC MOTOR External gear technology. Not reversible (one direction) to be fitted on the suction side port. Equipped with straight flanges G3/4.				
352	◆	HYDRAULIC MOTOR 40CC	1	229966		
352	◆	HYDRAULIC MOTOR 50CC	1	229967		
352	◆	HYDRAULIC MOTOR 60CC	1	229968		
129A	◆	SET OF 2 COMPANION FLANGES CC8 DN91, COMPLETE - STEEL	1	302474.00		
129A	◆	SET OF 2 COMPANION FLANGES CC8 DN91, COMPLETE - STAINLESS STEEL	1	310323.00		
131	◆	GASKET	(2)	223098		
	◆	FILTER PF CC8 DN80 ALU STEEL GRIDS 1-4	1	316078.00		
	◆	FILTER PF CC8 DN80 ALU STAINLESS STEEL GRIDS 1-4 (2+3+4+5+6+6A+7+8+10+11+12+13+14+15+16)	1	316079.00		
4 (4A+8)	◆	BODY	(1)	302056.00		
8 (14+15+16)	◆	ROTATING BOLTS ASSEMBLY	(1)	302030.00		
3 (5+6+7+12+13)	◆	COVER ASSEMBLY (STEEL GRIDS)	(1)	302529.01		
3 (5+6+7+12+13)	◆	COVER ASSEMBLY (STAINLESS STEEL GRID)	(1)	302530.01		
7	◆	O-RING	(1)	200874	■	
13 (10+11)	◆	FRONT COVER DRAIN PLUG + SEAL	(1)	302044.01		
6A	◆	GRID 1 MM (STEEL)	(1)	202232		
6A	◆	GRID 1 MM (STAINLESS STEEL)	(1)	204723		
	◆	FILTER PF CC8 DN80 COATED CAST IRON STAINLESS STEEL GRIDS 1-4 (2+3+4+5+6+6A+7+8+10+11+12+13+14+15+16)	1	316080.00		
4 (4A+8)	◆	BODY	(1)	314545.00		
8 (14+15+16)	◆	ROTATING BOLTS ASSEMBLY	(1)	307246.00		
3 (5+6+7+12+13)	◆	COVER ASSEMBLY	(1)	314546.01		
7	◆	O-RING	(1)	200874	■	
13 (10+11)	◆	FRONT COVER DRAIN PLUG + SEAL	(1)	307249.00		
6A	◆	GRID 1 MM (STAINLESS STEEL)	(1)	204723		

Filter PF CC8 :

- (1) The cover design changed in September 2011, the gasket 7 is replaced by an O'ring.
The cover assembly is interchangeable.
The gasket 7 is no more supplied. In case of need, the complete cover assembly has to be replaced.
- (2) The cover design change modified the grid length which is no more interchangeable.
In this case, the complete cover assembly has to be replaced.