

**PARTS LIST**  
**VANE COMPRESSORS**  
**ENTERPRISE E140 - E170**

**Note :**

The interchangeability is ensured between all the components in both direction :

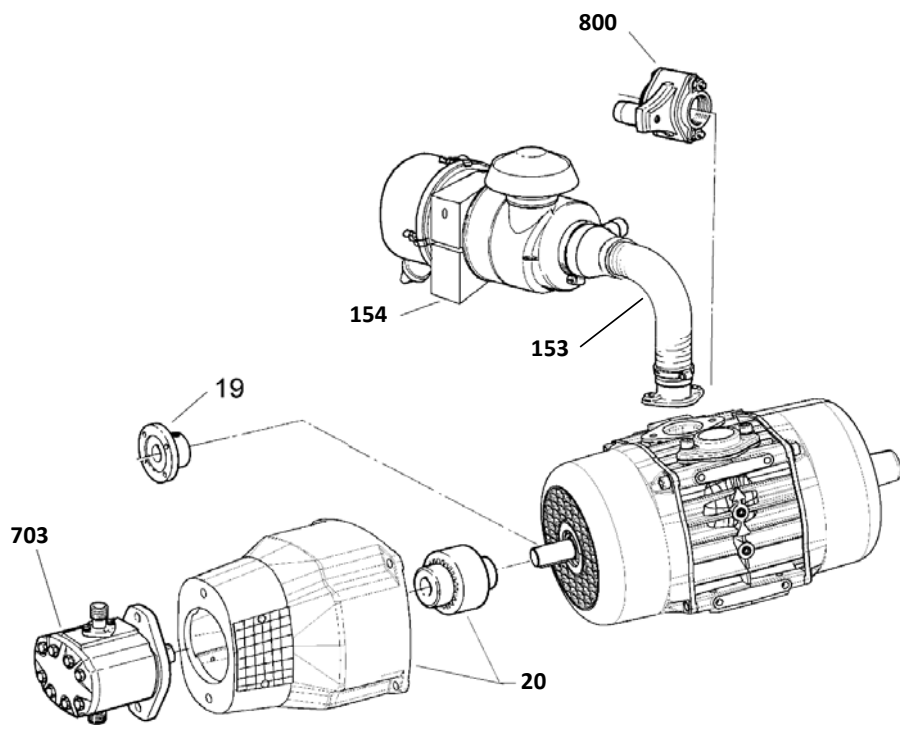
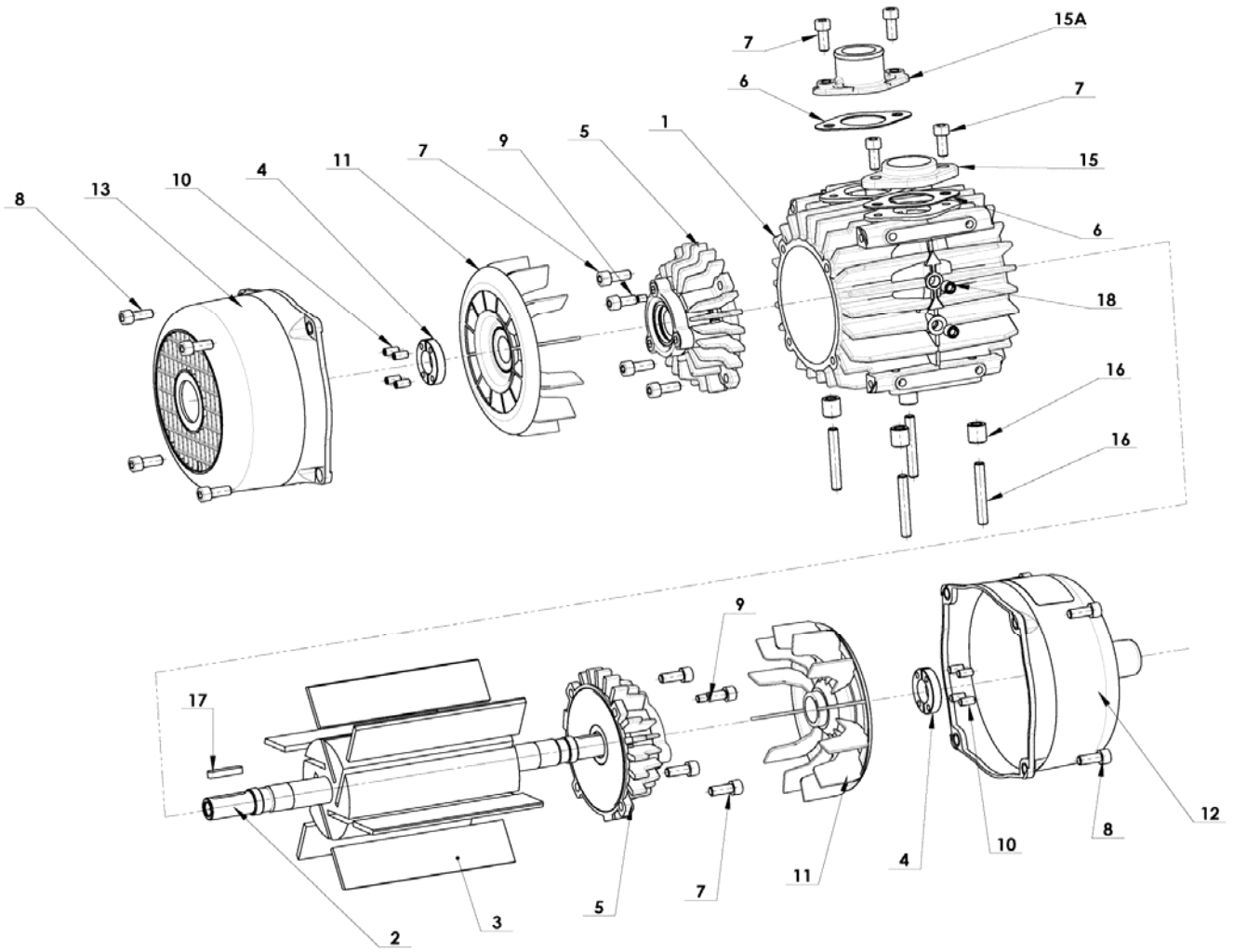
- E106 ←-----→ E140
- E156 ←-----→ E170

Keep this parts lists with Installation, Operation and Maintenance Instructions.

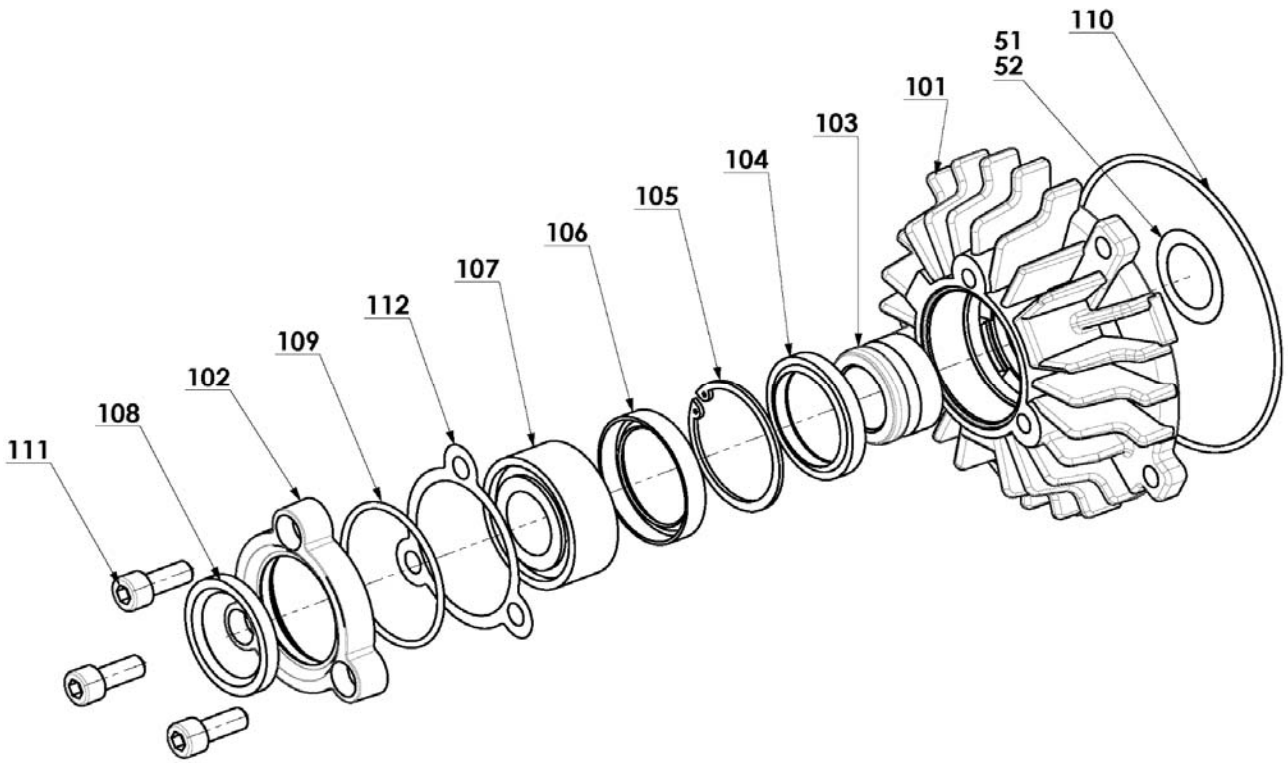
To order the required spare parts, indicate the desired Reference(s).

- ◆ Sets of parts or parts available to order.

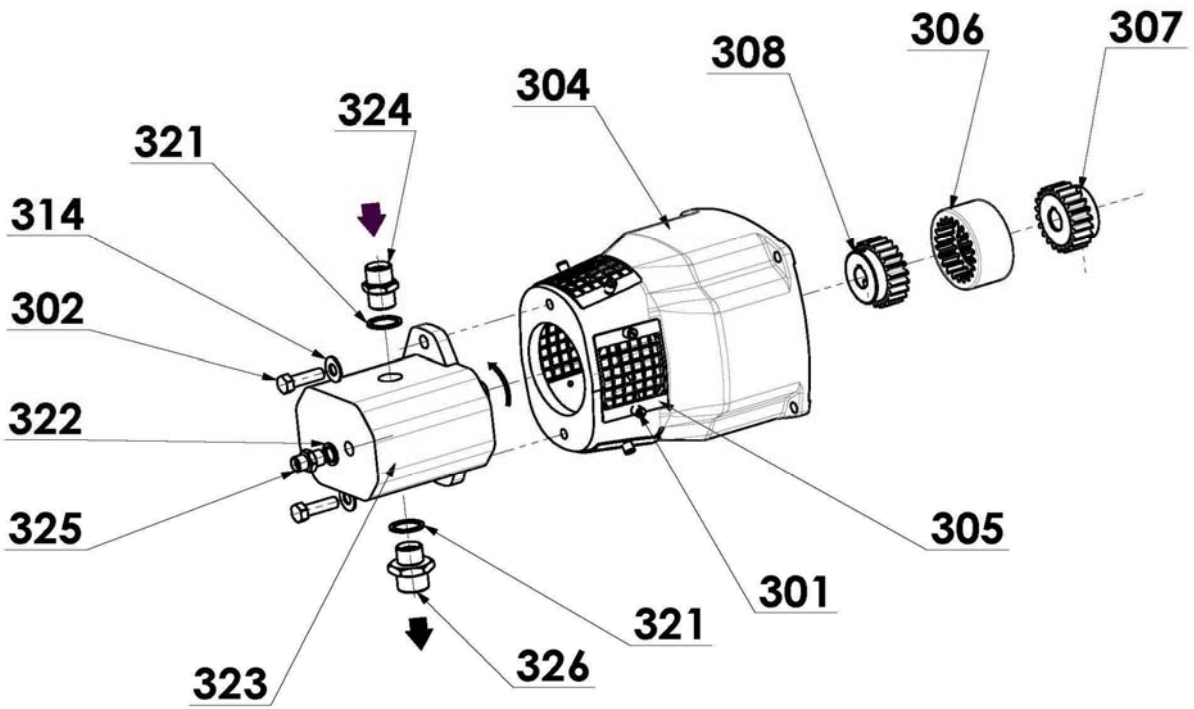
# ENTERPRISE E140 - E170



## SIDE PLATE ASSEMBLY

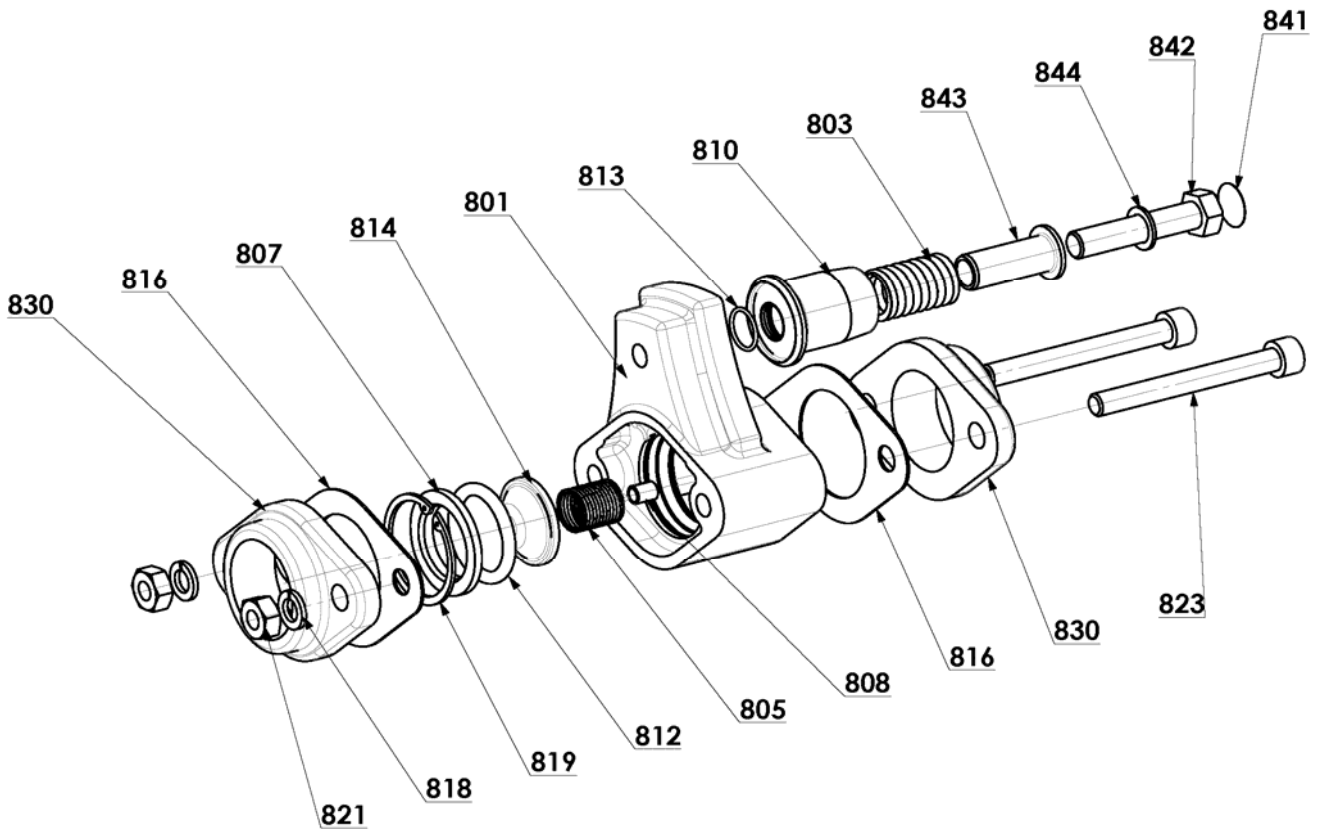


## HYDRAULIC TRUNK & HYDRAULIC MOTOR

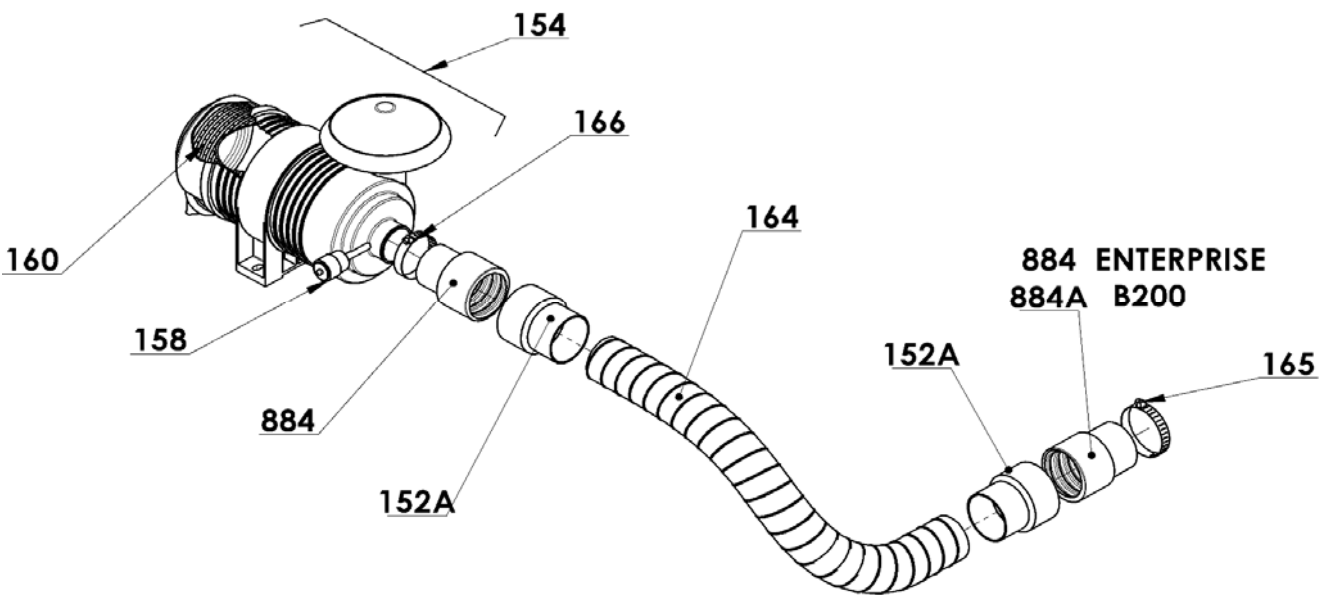


# ACCESSORIES

## CHECK RELIEF VALVE



## AIR FILTER KIT & SUCTION HOSE KIT



# ENTERPRISE E140

\* 1, 2, 4... : Quantity in equipment - (1), (2), (4)... : Quantity in kit

Item	Available	Description	Qty*	Ref.	Maintenance kit	Wear part
1	◆	CASING E140	1	AUX220472		
2	◆	E140 ROTOR	1	AUX220480		
3	◆	E140 VANE	6	AUX220489	■	●
5	◆	SIDE PLATE ASSEMBLY	2	AUX313083	■	
101		SIDE PLATE	(1)			
102		BEARING CAP	(1)			
103		SLEEVE	(1)			●
104		LIP SEAL	(1)			●
105		CIRCLIPS	(1)			
106		LIP SEAL	(1)			
107	◆	BALL BEARING	1	AUX225331		
108		LIP SEAL	(1)			●
109		SEAL	(1)			
110		SEAL	(1)			
111		SCREW	(3)			
112		SET OF SHIMS	(1)			
6	◆	FLANGE GASKET	2	AUX228065	■	
11A	◆	FAN ASSEMBLY FOR ENTERPRISE E140 E170	2	AUX315407	■	
11		FAN FOR ENTERPRISE E140 E170	(1)			
24	◆	FASTENING KIT FOR FAN ENTERPRISE E140 E170	1	AUX319258	■	
4		SPLIT SLEEVE	(2)			
10		SCREW	(4)			
12	◆	ENTERPRISE NO DRIVE END COVER	1	AUX220617		
13	◆	ENTERPRISE DRIVE END COVER	1	AUX220618		
15	◆	FLANGE 1.5 BSP STAINLESS STEEL	1	AUX227474		
15	◆	FLANGE 1.5 NPT STAINLESS STEEL	1	AUX227473		
15A	◆	INLET HOSE CONNECTOR	1	AUX220652		
16	◆	STUDS KIT ENTERPRISE	1	AUX313084		
17		KEY	(1)			
34		SPACER	(4)			
38		WASHER	(4)			
39		WASHER	(4)			
40		NUT	(4)			
41		STUD	(4)			
20	◆	ENTERPRISE HYDRAULIC TRUNK (M) KIT	1	AUX313302		
20	◆	ENTERPRISE HYDRAULIC TRUNK (2PL) KIT	1	AUX313170		
300	◆	ENTERPRISE HYDRAULIC TRUNK ASSEMBLY	1	AUX313106		
304		ENTERPRISE HYDRAULIC TRUNK	(1)			
305A	◆	GRID	4	AUX315329		
301		SCREW	(2)			
305		GRID	(1)			
302		SCREW	(2)			
311	◆	COUPLING (2PL) D25-D7/8 ASSEMBLY	1	AUX313169	■	
311	◆	COUPLING (M) D25-D24 ASSEMBLY	1	AUX313107	■	
314		WASHER	(2)			

# ENTERPRISE E140

\* 1, 2, 4... : Quantity in equipment - (1), (2), (4)... : Quantity in kit

Item	Available	Description	Qty*	Ref.	Maintenance kit	Wear part
<b>73</b>	◆	<b>REPAIR KIT E140</b>	1	<b>AUX313095</b>	■	
3A	◆	E140 VANE	6	AUX220489		●
6A	◆	FLANGE GASKET	2	AUX228065		●
51A		SHIM	(2)			
52A		SHIM	(2)			
104A	◆	LIP SEAL	2	AUX220531		●
105A		CIRCLIPS	(2)			
106A	◆	LIP SEAL	2	AUX219688		●
107A		BALL BEARING	(2)			
108A	◆	LIP SEAL	2	AUX220524		●
109		SEAL	(2)			
110		SEAL	(2)			
112		SET OF SHIMS	(1)			
<b>153</b>	◆	<b>SUCTION HOSE KIT 2M (ENTERPRISE)</b>	1	<b>AUX316690</b>	■	
152A	◆	HEAT SHRINKABLE SLEEVE	2	AUX229592	■	
164		HOSE	(1)			
165		HOSE CLAMP	(1)			
166		HOSE CLAMP	(1)			
884		RUBBER STRAIGHT HUMP Ø50	(2)			
<b>317</b>	◆	<b>PTO DRIVE FLANGE DIN 90</b>	1	<b>AUX313127</b>		
17A		KEY	(1)			
315	◆	PTO DRIVE FLANGE	1	AUX220642		
316		SCREW	(1)			
<b>318</b>	◆	<b>PTO DRIVE FLANGE SAE 1120</b>	1	<b>AUX313126</b>		
17A		KEY	(1)			
315	◆	PTO DRIVE FLANGE	1	AUX220646		
316		SCREW	(1)			
<b>800</b>	◆	<b>CHECK RELIEF VALVE 1.5" BSP 2.5 BAR</b>	1	<b>AUX316087</b>	■	
<b>800</b>	◆	<b>CHECK RELIEF VALVE 1.5" NPT 2.5 BAR</b>	1	<b>AUX316318</b>	■	
<b>800</b>	◆	<b>CHECK RELIEF VALVE 1.5" BSP 2 BAR</b>	1	<b>AUX316086</b>	■	
<b>800</b>	◆	<b>CHECK RELIEF VALVE 1.5" NPT 2 BAR</b>	1	<b>AUX316088</b>	■	
803		SPRING	(1)			
809		COMPLETE VALVE	(1)			
801		CHECK VALVE CASING COATED	(1)			
805		SPRING	(1)			
807		RING	(1)			
808		BUSH	(1)			
812		O-RING	(1)			
814		VALVE	(1)			
816	◆	FLANGE GASKET	2	AUX228065	■	
818		WASHER	(2)			
819		CIRCLIPS	(1)			
821		NUT	(2)			
823		SCREW	(2)			
830		FLANGE	(2)			
810		VALVE	(1)			
813		SEAL	(1)			
822		SCREW	(1)			

# ENTERPRISE E170

\* 1, 2, 4... : Quantity in equipment - (1), (2), (4)... : Quantity in kit

Item	Available	Description	Qty*	Ref.	Maintenance kit	Wear part
1	◆	CASING E170	1	AUX220467		
2	◆	E170 ROTOR	1	AUX220482		
3	◆	E170 VANE	6	AUX220488	■	●
5	◆	SIDE PLATE ASSEMBLY	2	AUX313083	■	
101		SIDE PLATE	(1)			
102		BEARING CAP	(1)			
103		SLEEVE	(1)			●
104		LIP SEAL	(1)			●
105		CIRCLIPS	(1)			
106		LIP SEAL	(1)			
107	◆	BALL BEARING	1	AUX225331		●
108		LIP SEAL	(1)			
109		SEAL	(1)			
110		SEAL	(1)			
111		SCREW	(3)			
112		SET OF SHIMS	(1)			
6	◆	FLANGE GASKET	2	AUX228065	■	
11A	◆	FAN ASSEMBLY FOR ENTERPRISE E140 E170	2	AUX315407	■	
11		FAN FOR ENTERPRISE E140 E170	(1)			
24	◆	FASTENING KIT FOR FAN ENTERPRISE E140 E170	1	AUX319258	■	
4		SPLIT SLEEVE	(2)			
10		SCREW	(4)			
12	◆	ENTERPRISE NO DRIVE END COVER	1	AUX220617		
13	◆	ENTERPRISE DRIVE END COVER	1	AUX220618		
15	◆	FLANGE 1.5 BSP STAINLESS STEEL	1	AUX227474		
15A	◆	INLET HOSE CONNECTOR	1	AUX220652		
16	◆	STUDS KIT ENTERPRISE	1	AUX313084		
17		KEY	(1)			
34		SPACER	(4)			
38		WASHER	(4)			
39		WASHER	(4)			
40		NUT	(4)			
41		STUD	(4)			
20	◆	ENTERPRISE HYDRAULIC TRUNK (M) KIT	1	AUX313302		
20	◆	ENTERPRISE HYDRAULIC TRUNK (2PL) KIT	1	AUX313170		
300	◆	ENTERPRISE HYDRAULIC TRUNK ASSEMBLY	1	AUX313106		
304		ENTERPRISE HYDRAULIC TRUNK	(1)			
305A	◆	GRID	4	AUX315329		
301		SCREW	(2)			
305		GRID	(1)			
302		SCREW	(2)			
311	◆	COUPLING (2PL) D25-D7/8 ASSEMBLY	1	AUX313169	■	
311	◆	COUPLING (M) D25-D24 ASSEMBLY	1	AUX313107	■	
314		WASHER	(2)			
73	◆	REPAIR KIT E170	1	AUX313094	■	
3A	◆	E170 VANE	6	AUX220488		●
6A	◆	FLANGE GASKET	2	AUX228065		●
51A		SHIM	(2)			
52A		SHIM	(2)			
104A	◆	LIP SEAL	2	AUX220531		●
105A		CIRCLIPS	(2)			
106A	◆	LIP SEAL	2	AUX219688		●
107A		BALL BEARING	(2)			
108A	◆	LIP SEAL	2	AUX220524		●
109		SEAL	(2)			
110		SEAL	(2)			
112		SET OF SHIMS	(1)			

# ENTERPRISE E170

\* 1, 2, 4... : Quantity in equipment - (1), (2), (4)... : Quantity in kit

Item	Available	Description	Qty*	Ref.	Maintenance kit	Wear part
<b>153</b>	◆	<b>SUCTION HOSE KIT 2M (ENTERPRISE)</b>	<b>1</b>	<b>AUX316690</b>	■	
152A	◆	HEAT SHRINKABLE SLEEVE	2	AUX229592	■	
164		HOSE	(1)			
165		HOSE CLAMP	(1)			
166		HOSE CLAMP	(1)			
884		RUBBER STRAIGHT HUMP Ø50	(2)			
<b>317</b>	◆	<b>PTO DRIVE FLANGE DIN 90</b>	<b>1</b>	<b>AUX313127</b>		
17A		KEY	(1)			
315	◆	PTO DRIVE FLANGE	1	AUX220642		
316		SCREW	(1)			
<b>318</b>	◆	<b>PTO DRIVE FLANGE SAE 1120</b>	<b>1</b>	<b>AUX313126</b>		
17A		KEY	(1)			
315	◆	PTO DRIVE FLANGE	1	AUX220646		
316		SCREW	(1)			
<b>800</b>	◆	<b>CHECK RELIEF VALVE 1.5" BSP 2 BAR</b>	<b>1</b>	<b>AUX316086</b>	■	
803		SPRING	(1)			
809		COMPLETE VALVE	(1)			
801		CHECK VALVE CASING COATED	(1)			
805		SPRING	(1)			
807		RING	(1)			
808		BUSH	(1)			
812		O-RING	(1)			
814		VALVE	(1)			
816	◆	FLANGE GASKET	2	AUX228065	■	
818		WASHER	(2)			
819		CIRCLIPS	(1)			
821		NUT	(2)			
823		SCREW	(2)			
830		FLANGE	(2)			
810		VALVE	(1)			
813		SEAL	(1)			
822		SCREW	(1)			



# ACCESSORIES

## ENTERPRISE E140 - E170

\* 1, 2, 4... : Quantity in equipment - (1), (2), (4)... : Quantity in kit

Item	Available	Description	Qty*	Ref.	Maintenance kit	Wear part
154	◆	AIR FILTER KIT FC4	1	AUX319160	■	
158	◆	RESTRICTION INDICATOR	(1)	AUX215658	■	
160	◆	FILTER ELEMENT FC4	(1)	AUX220669	■	●
703	◆	HYDRAULIC MOTOR KIT 36CC SAE2B (FOR ENTERPRISE HYDRAULIC TRUNK M KIT 313302) (321+322+323+324+325+326)	1	AUX313303		
323	◆	HYDRAULIC MOTOR 36CC SAE2B	(1)	AUX220673	■	