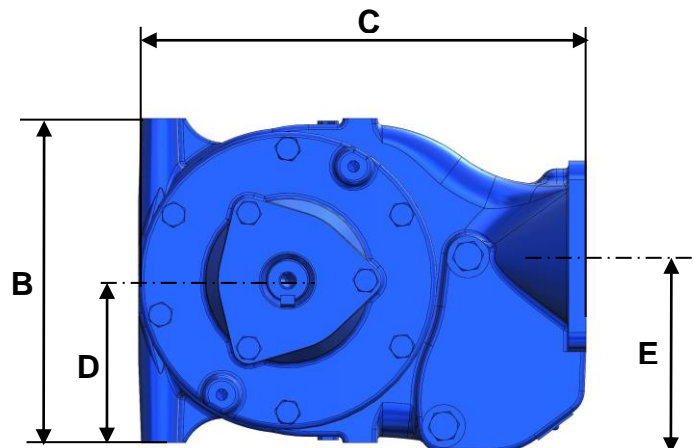
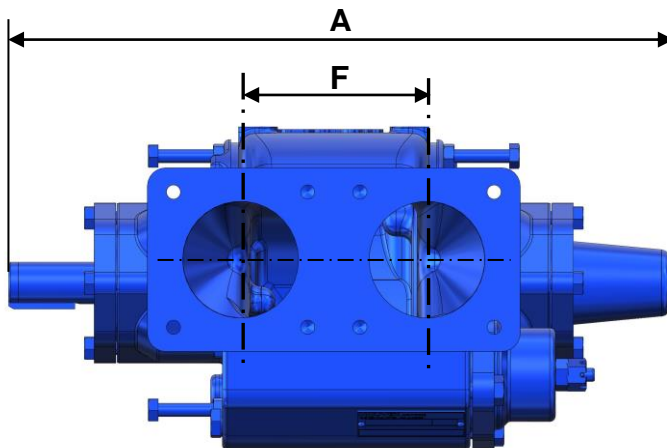




### CHARACTERISTICS

	STANDARD		AVAILABLE OPTIONS
Technology	6 vanes		12 vanes + pushrods
Maximum Flow rate at 1 cSt in m <sup>3</sup> /h (GPM)	42 (185)		
Power requested (KW) and Torque (Nm) at 1000 rpm 10 bar at 10Cst	9	85	
Power requested (KW) and Torque (Nm) at 1500 rpm 5 bar at 10 Cst	8.2	52	
Cubic capacity L (cu.in)	0.460 (28.0708606)		
By-pass	Simple, not reversible		Pneumatic, Reversible
Rotation direction	CW or CCW (2 ended shafts)		Reversible
Ports	Flange Ø 70		
Heating	Without		
Dimensions mm (in.)	A	400 (15.75)	
	B	194 (7.64)	
	C	258 (10.16)	
	D	93.5 (3.66)	
	E	107.5 (4.21)	
	F	112.5 (4.41)	
Weight kg (lbs)	32 (71)		



### OPERATING LIMITS

	STANDARD MATERIALS
Minimum temperature °C (°F)	-20 (-4)
Maximum temperature °C (°F)	80 (176)
Maximum viscosity cSt (SSU)	50 (260) for 6 vanes, 1000 (4800) if 12 vanes + pushrods
Maximum differential pressure bar (psi)	10 (145)
Minimum speed (rpm) without pushrods	450
Maximum speed (rpm) at 10 bar (450)	1000
Minimum speed (rpm) at 5 bar (73)	1500

### MATERIALS OF CONSTRUCTION

Part No	PART NAME	STANDARD MATERIAL	AVAILABLE OPTIONS
100	Casing	Cast Iron	
300	Rotor	Cast Iron	
317	Vanes	Plastic polysulfide	
400	Ends	Cast Iron	
500	Shaft	Steel	
703	Ball bearings	Steel	
	Static O-rings	FKM	
630	Mechanical seals	Carbon/Stainless steel	
630	Mechanical seal O-rings	FKM	FEP

