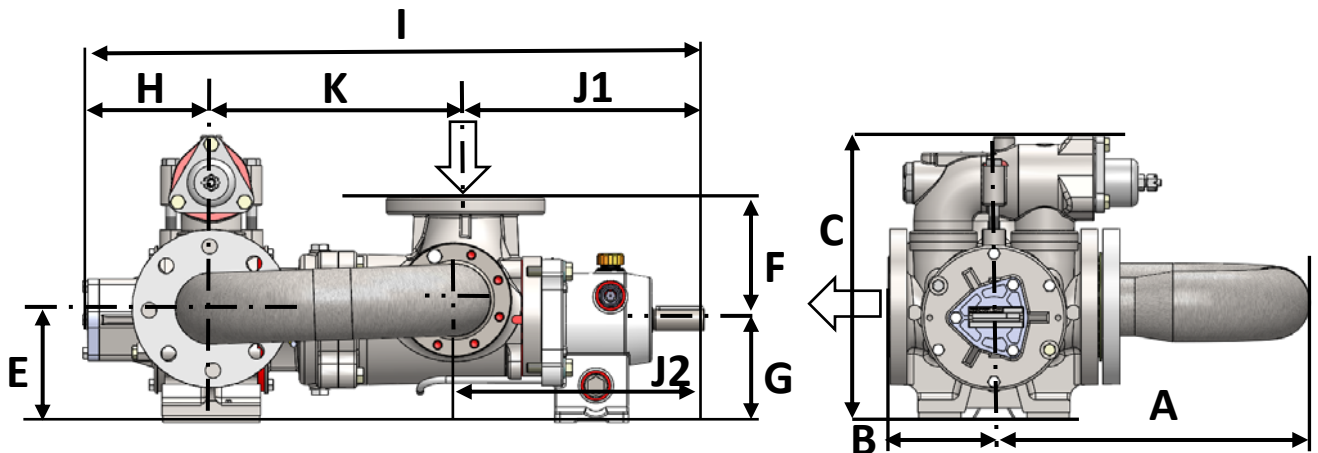


### CHARACTERISTICS

	STANDARD	AVAILABLE OPTIONS
<b>Technology</b>	Vane pump Seal Less drive	
<b>Maximum Flow rate at 1 cSt m<sup>3</sup>/h (GPM)</b>	25 (110) at 1000 rpm	
<b>Displacement L (gal) per rotation</b>	0.46 (0.122)	
<b>Internal relief valve</b>	Single	No relief valve
<b>Rotation</b>	Anti-clockwise	Clockwise
<b>Ports</b>	DN65 ISO PN16 Flanges	
<b>Dimensions mm (in.)</b>	<b>A</b> 374 (14.720)	
	<b>B</b> 125 (4.921)	
	<b>C</b> 335 (13.190)	Without relief valve 282 (11.102)
	<b>E</b> 120 (4.724)	
	<b>F</b> 145 (5.709)	
	<b>G</b> 120 (4.724)	
	<b>H</b> 147 (5.778)	
	<b>I</b> 725 (28.52)	
	<b>J1</b> 278 (10.945)	
	<b>J2</b> 291 (11.447)	
<b>K</b> 236 (9.291)		
<b>Weight kg (lbs)</b>	84 (185.19)	



### OPERATING LIMITS

<b>Minimum temperature °C (°F)</b>	-10 (14)
<b>Maximum temperature °C (°F)</b>	100 (212)
<b>Maximum viscosity cSt (SSU)</b>	60 000 (278 000)
<b>Maximum differential pressure bar (psi)</b>	12 (174)
<b>Maximum inlet pressure barg (psig)</b>	1.5 (22)
<b>Maximum speed (rpm)</b>	1000

### MATERIALS OF CONSTRUCTION

Part No	PART NAME	STANDARD MATERIALS	AVAILABLE OPTIONS
44101	Casing	Stainless steel 316L	
44301	Rotor	Stainless steel 316L	
44317	Vanes	PEEK	
44318	Push Rods	-	Stainless steel 316L
44401	Cover	Stainless steel 316L	
44501	Rotor Shaft	Stainless steel 329	
44105	Shaft driver	Stainless steel 316L	
44422	Side discs	Carbon metal	
11101	Inlet tube	Stainless steel 316L	
11123	Connection tube	Stainless steel 316L	
44800	Relief valve	Stainless steel 316L	
	Bushings	Carbon metal	
	O rings	FEP-FKM	
39596	<b>Transmission assembly</b>		
	Bearings	Roller/spherical roller	
	Bellows assembly	316Ti & 316 L	
	Housing	Nickel plated ductile Iron	
	Screws	A2 stainless steel	
	Bushings	Carbon Antimony	
	O rings	FEP coated FKM	
	Transmission lubricant	Synthetic oil	

