



# PAIL MIXER

## ASSEMBLY INSTRUCTIONS AND PARTS LIST

### MIXER MODELS: PM5CS THRU PM105S

**ATTENTION: TO INSURE SAFE AND EASY USE OF YOUR MIXER, READ THESE INSTRUCTIONS BEFORE USING.**

#### Description

Pail mixers are designed for mixing of fluid in closed pails. The mixer is built into the pail lid which is easily mounted to or removed from the pail. The mixer speed can be varied from 0-2000 rpm by regulating the air inlet valve. The mixed liquid can be dispensed through the valve without opening up the pail. A locking ring secures the lid and the mixer while in operation.

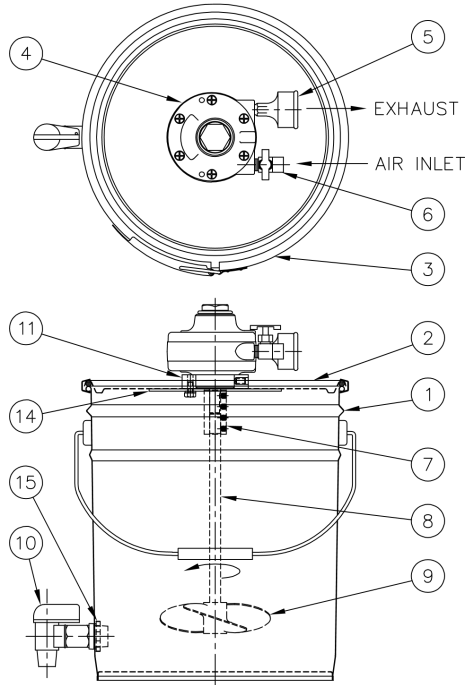
#### General Safety Information

**Warning: These mixers are intended for specific functions. Please follow all instructions to insure safe and proper use.**

- (1) Be certain that all mounting hardware and the coupling and propeller set screws are properly tightened prior to operation.
- (2) Clamp lid securely to rim of pail with the locking ring. Be certain propeller is not touching bottom of pail before starting mixer.
- (3) Check the air supply, as the air motor requires a supply of 30 cfm @100 PSI.
- (4) Do not attempt to remove the mixer-lid assembly when mixer is operating, as this could result in personal injury or damage to the pail and mixer.
- (5) Always wear safety goggles when adding materials to or dispensing from the pail.

#### Assembly Instructions

- (1) Attach one end of the air hose supplied, to the air inlet valve attached to the air motor.
- (2) Attach the other end of the hose to a suitable air supply line.



ITEM NO.	DESCRIPTION	QTY.	STEEL MODELS		STAINLESS STEEL MODELS	
			PM5CS	PM10CS	PM5SS	PM10SS
1	STEEL PAIL WITH SPIGOT	1	004347	004348	-	-
	STAINLESS STEEL PAIL WITH MALE THREADED OUTLET FITTING	1	-	-	004310	004311
2	STEEL PAIL LID	1	004305	004306	-	-
	STAINLESS STEEL PAIL LID	1	-	-	004307	004308
3	STEEL CLAMP BAND	1	107716	107717	-	-
	STAINLESS STEEL CLAMP BAND	1	-	-	107718	107719
4	AIR MOTOR	1	107395	107395	107395	107395
5	MUFFLER	1	YES	YES	YES	YES
6	INTAKE VALVE	1	106459	106459	106459	106459
7	SS SHAFT COUPLING	1	004022	004022	004022	004022
8	SS MIXER SHAFT	1	004298	004299	004298	004299
9	SS PROPELLER	1	106466	106466	106466	106466
10	PLASTIC SPIGOT	1	107720	107720	-	-
	SS BALL VALVE	1	-	-	107721	107721
11	AIR MOTOR ADAPTER	1	004300	004300	004300	004300
12	AIR HOSE	1	107722	107722	107722	107722
13	AIR MOTOR REBUILD KIT	1	107734	107734	107734	107734
14	REINFORCEMENT PLATE	1	004355	004355	-	-
15	LOCKNUT	1	107705	107705	-	-

Note : Item 12 and 13 not shown on page.



PSG  
22069 Van Buren Street  
Grand Terrace, CA 92313 USA  
P: +1 (215) 699-8700 F: +1 (215) 699-0370  
neptune1.com

Copyright 2018 PSG®, a Dover Company

