

Appendix to the Operating and Installation Instructions QF150SU

EZ-Set



Please read this appendix and the pump manual carefully before start-up of the pump and take care of an appropriate instruction of the operating staff.

Attention!
Please regard the warning and safety advices!

Original Instruction

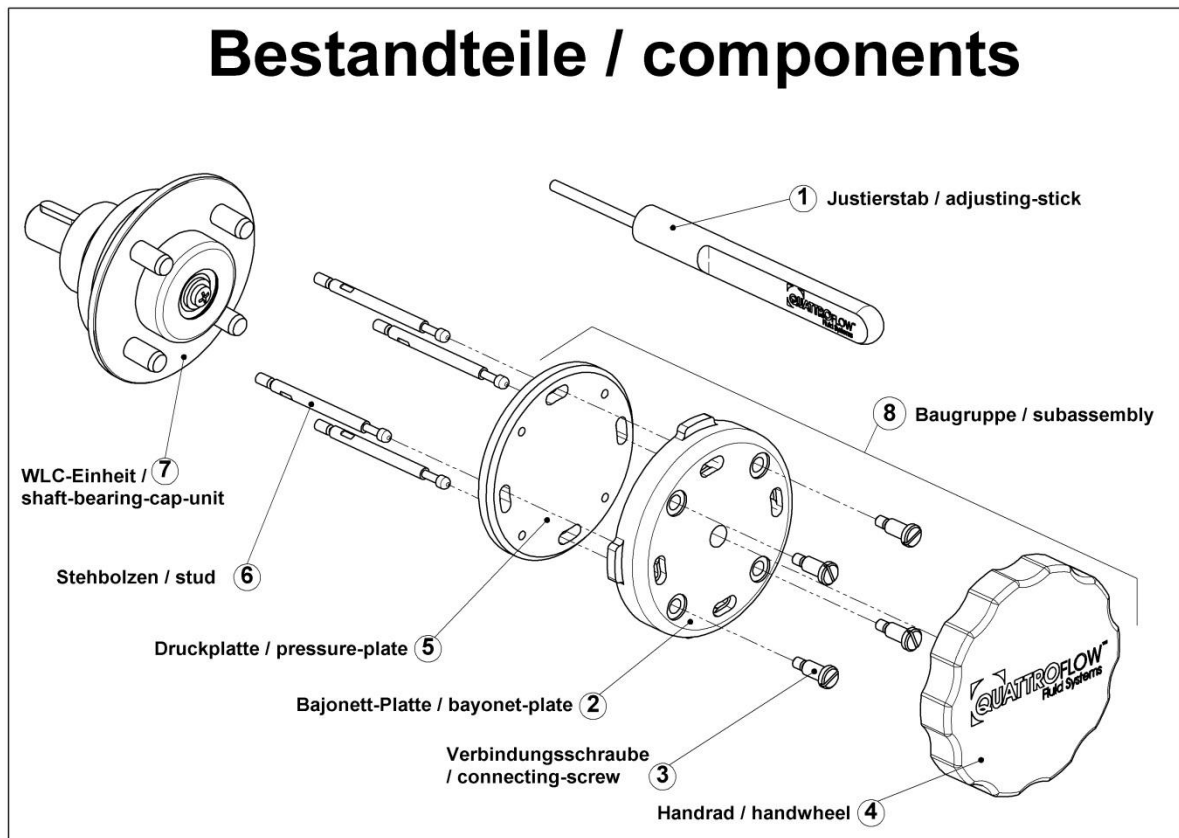


Contents

1. General remarks	3
1.1. Overview of the components	3
2. Disassembly	4
2.1. Unscrewing the hand wheel	4
2.2. Loosen the bayonet-plate	4
2.3. Dismounting the subassembly	5
2.4. Dismounting the pump chamber	5
3. Assembly	6
3.1. Unscrewing the locking screw.....	6
3.2. Alignment of the shaft-bearing-cap-unit	6
3.3. Mounting the pump chamber	7
3.4. Fasten the locking screw	7
3.5. Mounting the subassembly	8
3.6. Fasten the bayonet-plate	8
3.7. Fasten the handwheel.....	9
4. Retrofit a pump to EZ-Set	10
4.1. Replacing the shaft-bearing-cap-unit	10
4.2. Fasten the studs	10

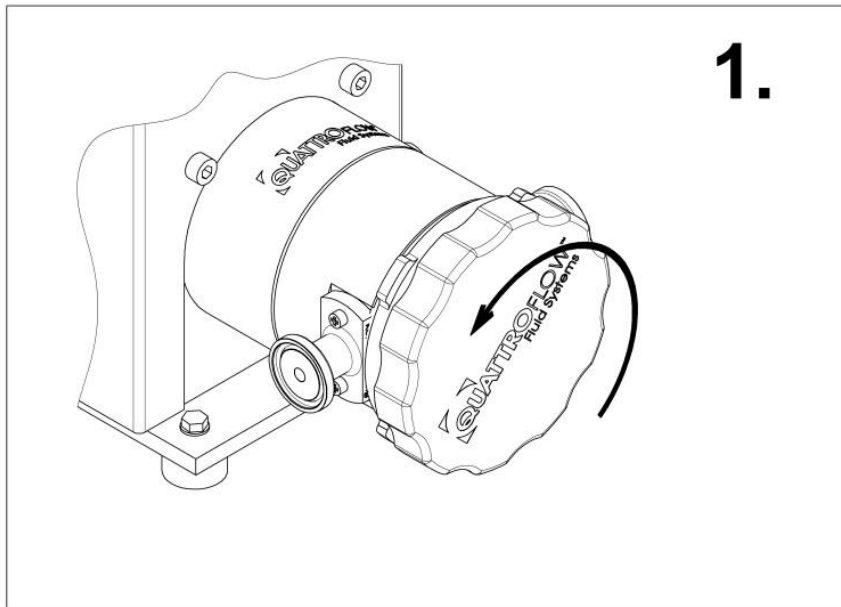
1. General remarks

1.1. Overview of the components



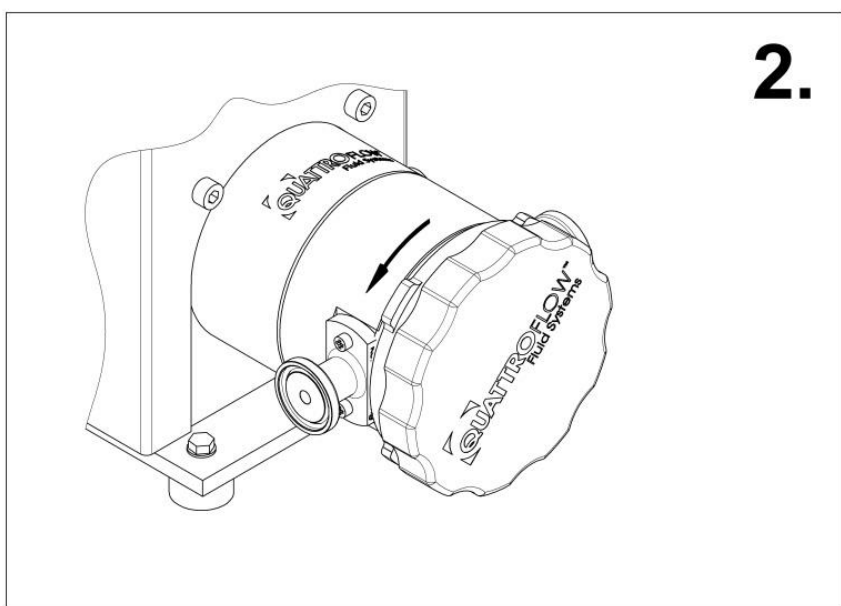
2. Disassembly

2.1. Unscrewing the hand wheel



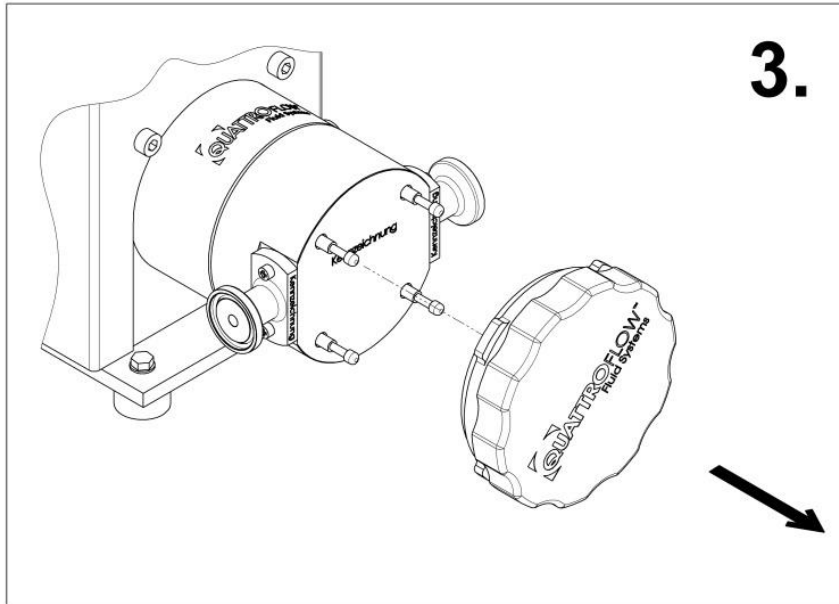
Unscrew the hand wheel (item 4) in rotational direction counter-clock wisely. 2-3 cycles are enough. It is not necessary to unscrew the hand wheel completely.

2.2. Loosen the bayonet-plate



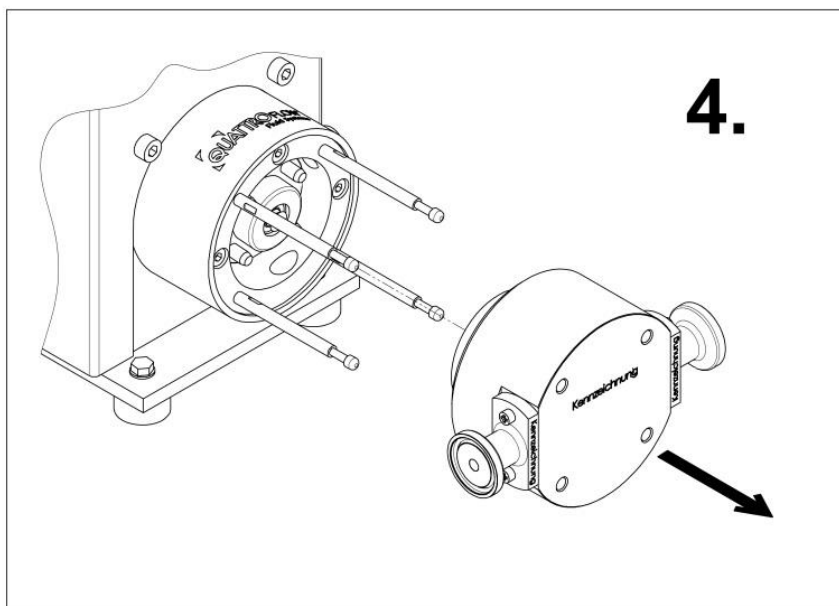
Loosen the bayonet-plate (item 2) in rotational direction counter-clock wisely. The bayonet-closure snaps out after about 20° rotation-angle.

2.3. Dismounting the subassembly



Pull off the whole subassembly (item 8) to the front side.

2.4. Dismounting the pump chamber

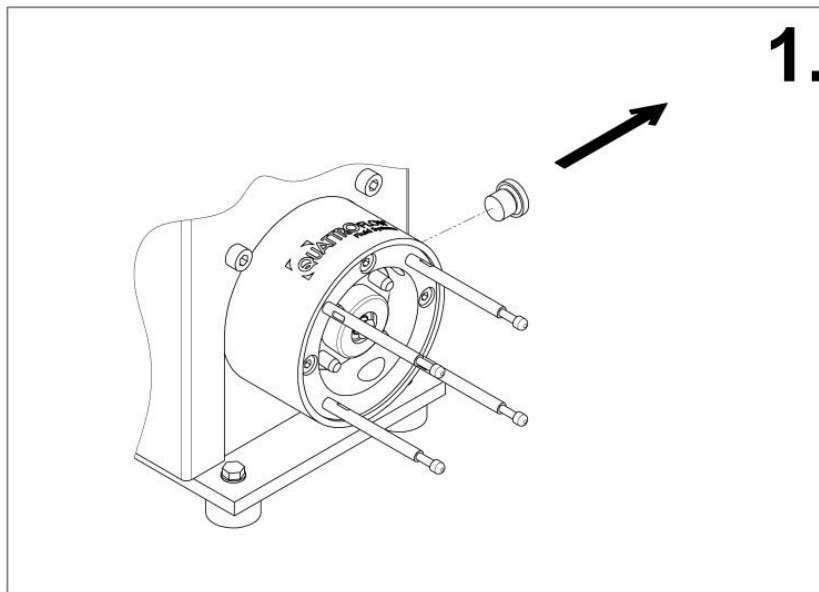


Pull the pump chamber off the studs (item 6).

3. Assembly

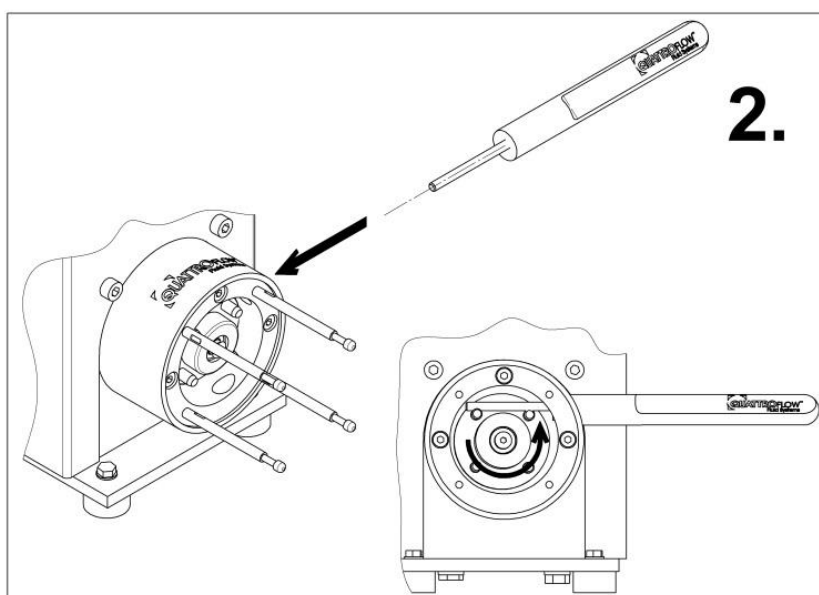
The use of the adjusting stick (item 1) and thus the steps 3.1./3.2./3.4. are not absolutely necessary, but facilitate the assembly of the pump chamber to fix the position of the cap of the shaft-bearing-cap-unit.

3.1. Unscrewing the locking screw



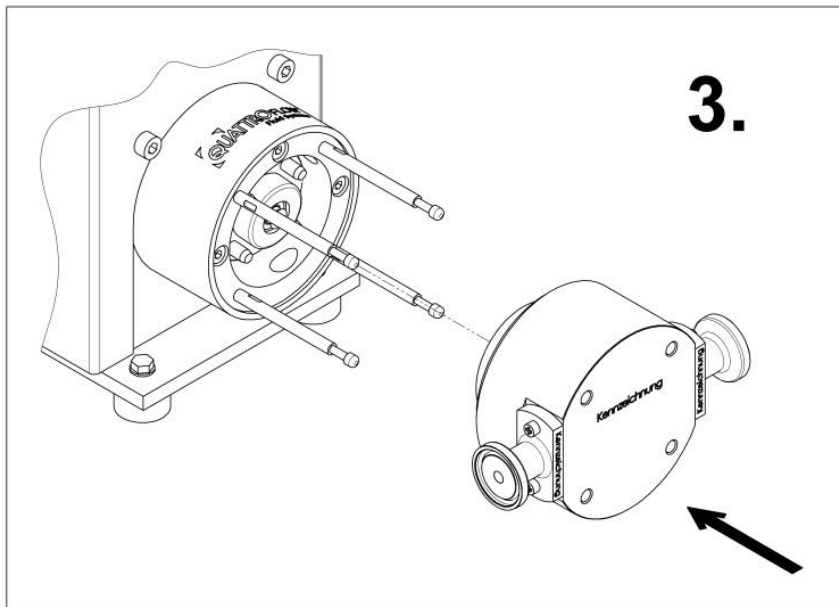
Loosen the locking screw with a hex head wrench (Size 5mm).

3.2. Alignment of the shaft-bearing-cap-unit



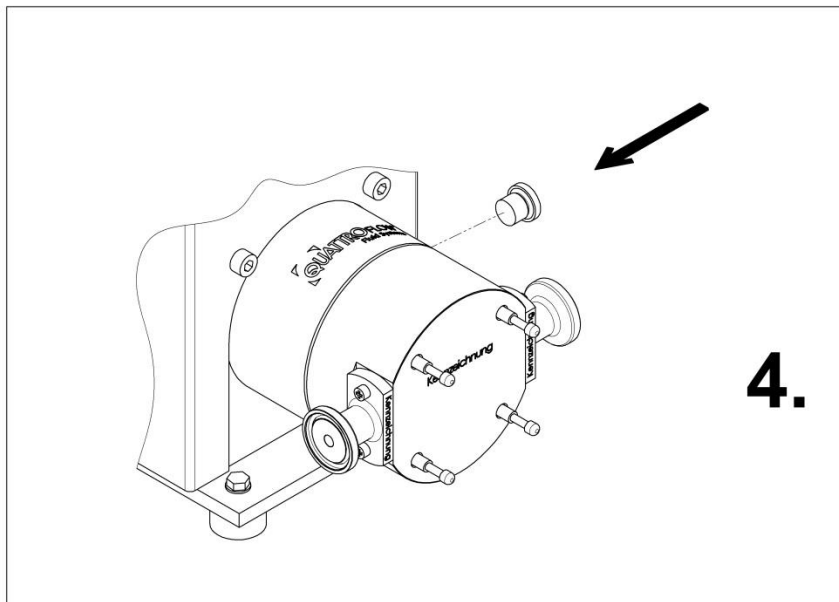
Align the cap of the shaft-bearing-cap-unit by the help of the adjusting stick (item 1).

3.3. Assembling the pump chamber



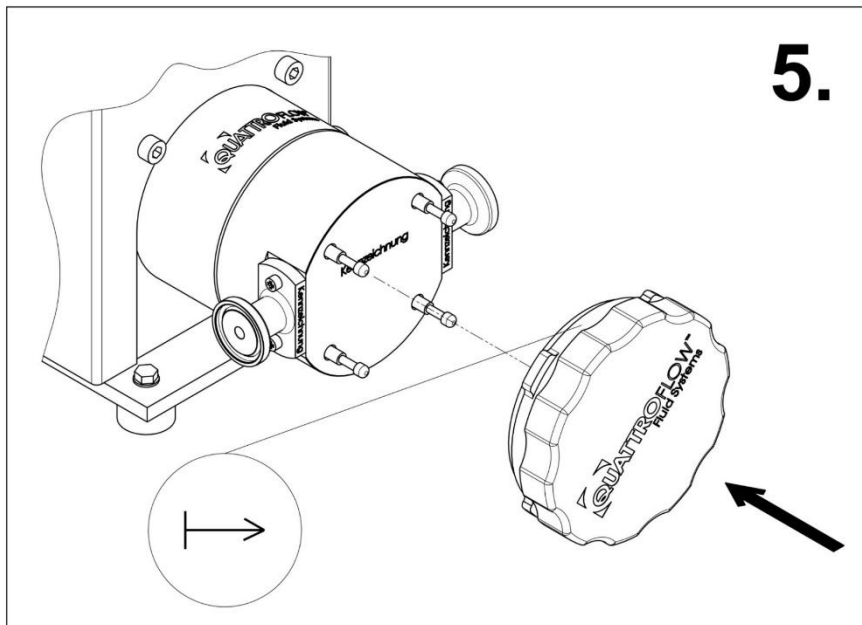
Assemble the pump chamber by the help of the studs (item 6). After that pull out the adjusting stick (item 1).

3.4. Mounting the locking screw



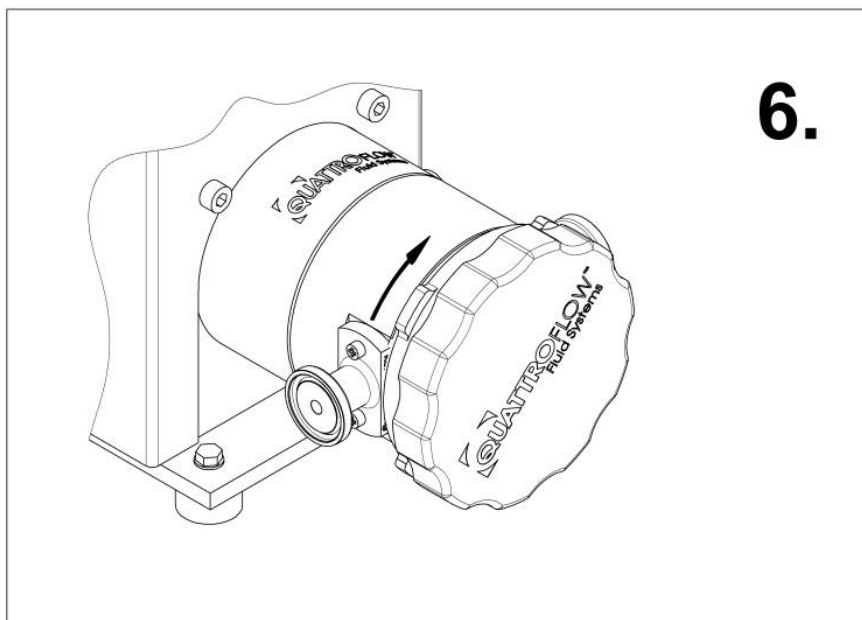
Tighten the locking screw with the help of a hex head wrench (Size 5mm).

3.5. Mounting the subassembly



Assemble the whole subassembly (item 8) by placing the studs (item 6) into the provided holes and press it on. In addition to this, the mark on the bayonet-plate (item 2) should be visible.

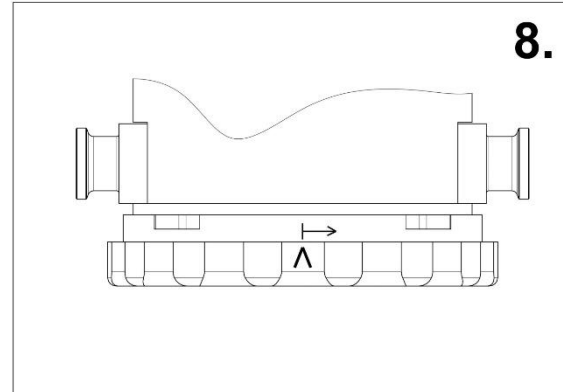
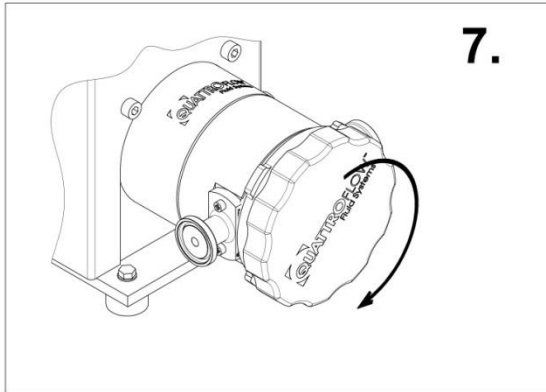
3.6. Fasten the bayonet-plate



Fasten the bayonet-plate (item 2) by turning it clockwise. The bayonet-closure snaps in after about 20° rotation-angle.

If the bayonet-plate is not rotatable, it is possible that the handwheel (item 4) is not loosened enough and need a few more rotations clockwise, but without unscrewing it completely.

3.7. Fasten the hand wheel



Fasten the hand wheel (item 4) by turning it clockwise (figure 7). Turn the hand wheel until a noticeable drag appears. After that, the mark of the hand wheel must be turned at least to the mark of the bayonet-plate or beyond (figure 8).

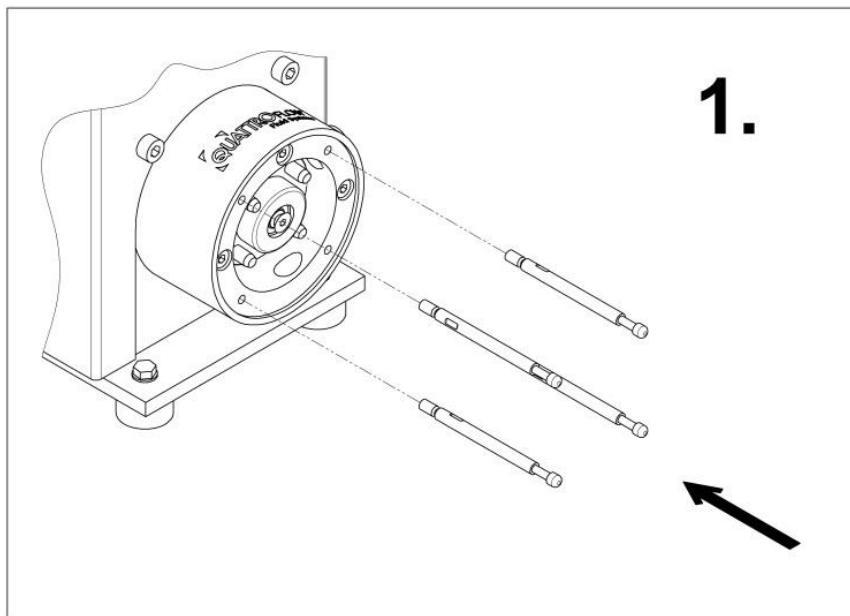
4. Retrofit a pump to EZ-Set

An existing standard QF150 single-use pump can be retrofitted quickly and easily to the EZ-Set system. For this purpose, the WLC (shaft-bearing-cap) unit must be replaced and the studs screwed in.

4.1. Replacing the shaft-bearing-cap-unit

The replacement of the shaft-bearing-cap unit (item 7) is described in the chapter 4.2 of the pump manual.

4.2. Fasten the studs



Fasten the studs (item 6) in the bearing-shell of the ring-drive-unit and tighten them with the help of an open-end spanner (A/F 4mm).

Quattroflow is a brand of ALMATEC Maschinenbau GmbH.
ALMATEC is constantly working on improvements of the pump. Modifications of the design or materials might be done without prior notice.



ALMATEC®

Subject to change without notice, 2018-11 (replaces 2018-03)

ALMATEC Maschinenbau GmbH
Hochstraße 150-152 · D-47228 Duisburg, Germany
Telefon +49 (0) 2065 89205-0 · Fax +49 (0) 2065 89205-40
www.quattroflow.com · info@almatec.de