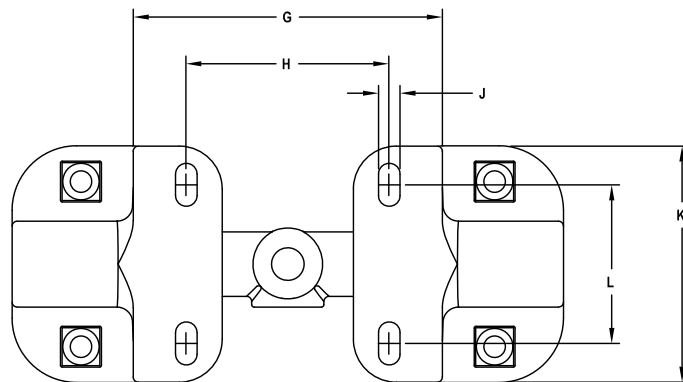
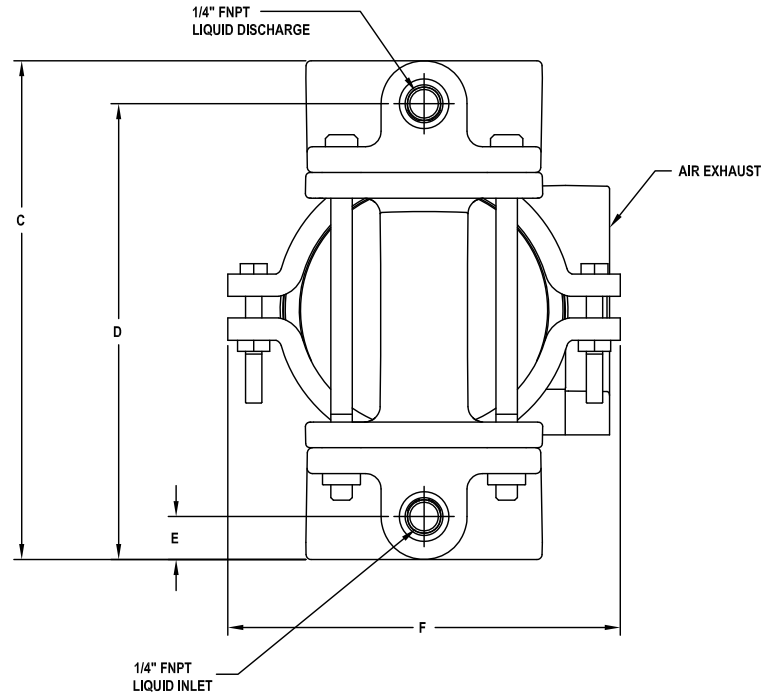
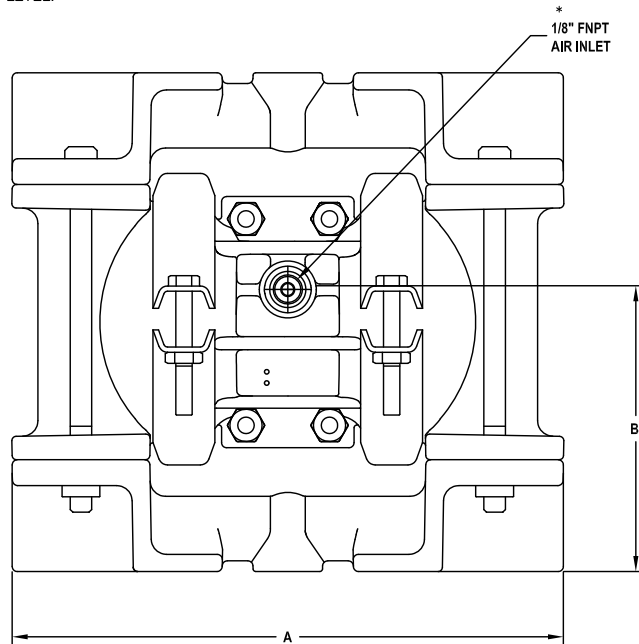


CAD generated and maintained drawing. All printed and electronic copies outside of Wilden's engineering database are "Uncontrolled" and shall be used for reference only.

NOTES: UNLESS OTHERWISE SPECIFIED

- \*1. DIMENSIONS AND TOLERANCES PER ASME Y14.5M-1994.
- \*2. \* INDICATES DIMENSIONS AND/OR FEATURES MODIFIED ON CURRENT REVISION LEVEL.

| REV. | DESCRIPTION                                | BY   | CHK. | APP. | DATE    |
|------|--|------|------|------|---------|
| A    | RELEASED INTO PRODUCTION<br>SEE ECN #05848 | -    | -    | -    | -       |
| B    | SEE ECN #06023                             | N.H. | E.M. | T.A. | 7/24/17 |



| DIMENSIONS - P.025 (METAL) |             |                 |
|----------------------------|-------------|-----------------|
| ITEM                       | METRIC (mm) | STANDARD (inch) |
| A                          | 165         | 6.5             |
| B                          | 84          | 3.3             |
| C                          | 147         | 5.8             |
| D                          | 135         | 5.3             |
| E                          | 13          | 0.5             |
| F                          | 114         | 4.5             |
| G                          | 91          | 3.6             |
| H                          | 61          | 2.4             |
| J                          | 8           | 0.3             |
| K                          | 71          | 2.8             |
| L                          | 46          | 1.8             |

LW0348 REV. B

|   |                  |  |           |
|---|------------------|--|-----------|
| <b>WILDEN</b><br><small>WILDEN PUMP AND ENGINEERING CO.</small> |                  | 22069 VAN BUREN STREET<br>GRAND TERRACE, CA 92313-5607<br>(909) 422-1700<br>WWW.WILDENPUMP.COM |           |
| TITLE<br>P.025 METAL<br>DIMENSIONAL DRAWING                     |                  |  |           |
| DRAWN BY<br>B. WATSON   | DATE<br>08/01/16 | SCALE<br>1/1   |           |
| CHECKED BY<br>BRIAN BINDER                                      | DATE<br>8/3/16   | DRAWING NO.<br>LW0348  | REV.<br>B |
| APPROVED BY<br>AIDA BELTRAN                                     | DATE<br>8/3/16   |  |           |

THIS DOCUMENT AND ITS CONTENTS ARE PROPRIETARY TO WILDEN PUMP AND ENGINEERING CO. ANY REPRODUCTION, DISCLOSURE OR USE OF THIS DOCUMENT IS EXPRESSLY PROHIBITED EXCEPT AS OTHERWISE AGREED TO IN WRITING.