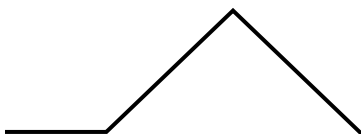
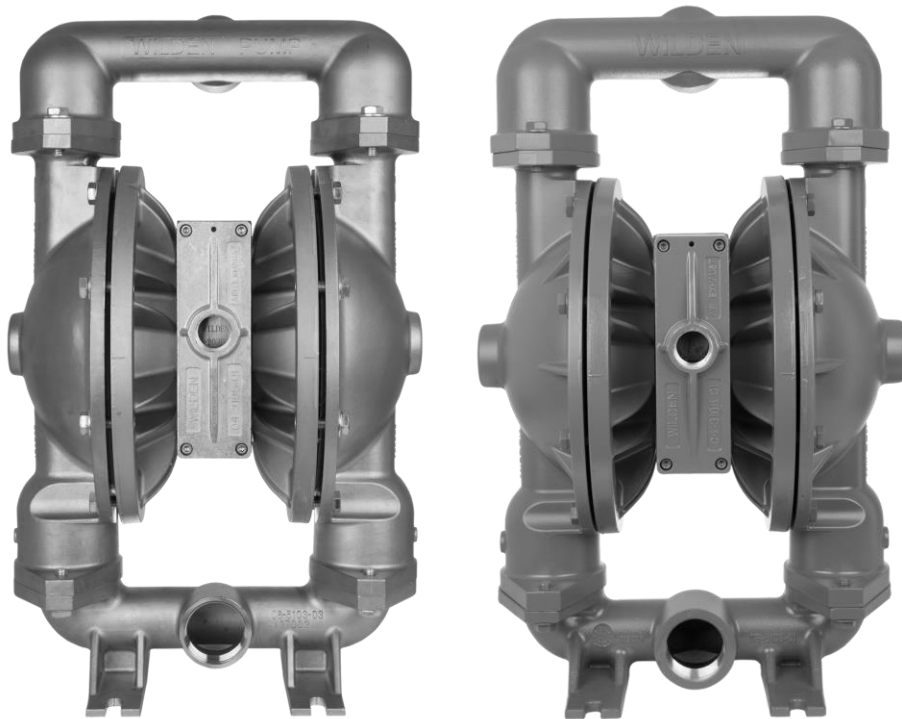


EOM

ENGINEERING OPERATION
& MAINTENANCE MANUAL

PR860/PR870 Bolted Metal Pump



Where Innovation Flows

WILDEN®



Copyright

Copyright 2023 PSG®, a Dover Company. All rights reserved.

PSG reserves the right to modify the information and illustrations in this document without prior notice. The product described in this document is furnished under a license agreement or nondisclosure agreement. No part of this document may be reproduced, stored in a retrieval system, or transmitted in any form or any means electronic or mechanical, including photocopying and recording, without the written permission of PSG, a Dover Company, except as described by the terms of those agreements.

This is a non-contractual document.

Trademarks

PSG and the PSG logo are registered trademarks of PSG. Wilden® is a registered trademark of PSG California LLC. Pro-Flo® SHIFT and Pro-Flo® are registered trademarks of PSG California LLC. Wil-Flex® is a trademark of PSG California LLC. Saniflex™ is a trademark of PSG California LLC.

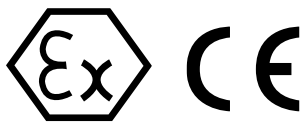
All trademarks, names, logos and service marks (collectively “trademarks”) in this document are registered and unregistered trademarks of their respective owners. Nothing contained in this document should be construed as granting any license or right to use any trademark without the prior written permission of the trademark owner.

Warranty

Each and every product manufactured by Wilden is built to meet the highest standards of quality. Every pump is functionally tested to ensure integrity of operation. Wilden warrants that pumps, accessories and parts manufactured or supplied by it to be free from defects in material and workmanship for a period of five (5) years from date of installation or six (6) years from date of manufacture, whichever comes first.

For more information, and to register your Wilden pump for warranty, please visit <https://www.psgdover.com/wilden/support/warranty-registration>.

Certifications



CONTENTS

SECTION 1: Precautions – Read First!	4
SECTION 2: Wilden Pump Designation System	5
SECTION 3: How It Works	6
SECTION 4: Dimensional Drawings	7
SECTION 5: Performance	9
PR860/PR870 Metal Rubber-Fitted	9
PR860/PR870 Metal EZ-Install TPE-Fitted	9
PR860/PR870 Metal Full-Stroke PTFE-Fitted.....	10
PR860/PR870 Metal Reduced-Stroke PTFE-Fitted	10
Suction Lift Capability	11
SECTION 6: Suggested Installation, Operation, Maintenance, and Troubleshooting	12
SECTION 7: Disassembly/Reassembly	15
Pump Disassembly.....	15
Air Valve Disassembly.....	17
Reassembly Hints and Tips.....	20
SECTION 8: Exploded View and Parts List	21
SECTION 9: Elastomer Options	23

SECTION 1

PRECAUTIONS – READ FIRST!



WARNING: Always wear safety glasses when operating a pump to avoid eye injury. If diaphragm rupture occurs, material being pumped may be forced out of the air exhaust.



CAUTION: Do not apply compressed air to the exhaust port – pump will not function.



CAUTION: Do not over-lubricate air supply– excess lubrication will reduce pump performance. Pump is pre-lubed.



TEMPERATURE LIMITS:

Acetal	-29°C to 82°C	-20°F to 180°F
Buna-N	-12°C to 82°C	10°F to 180°F
Geolast®	-40°C to 82°C	-40°F to 180°F
Neoprene	-18°C to 93°C	0°F to 200°F
Nordel EPDM	-51°C to 138°C	-60°F to 280°F
Nylon	-18°C to 93°C	0°F to 200°F
PFA	-7°C to 107°C	45°F to 225°F
Polypropylene	0°C to 79°C	32°F to 175°F
Polyurethane	-12°C to 66°C	10°F to 150°F
PVDF	-12°C to 107°C	10°F to 225°F
Saniflex	-29°C to 104°C	-20°F to 220°F
SIPD PTFE with EPDM-backed	4°C to 137°C	40°F to 280°F
SIPD PTFE with Neoprene-backed	4°C to 93°C	40°F to 200°F
PTFE*	4°C to 104°C	40°F to 220°F
FKM	-40°C to 177°C	-40°F to 350°F
Wil-Flex	-40°C to 107°C	-40°F to 225°F

*4°C to 149°C (40°F to 300°F) - 13 mm (1/2") and 25 mm (1") models only.

NOTE: Not all materials are available for all models. See "Wilden Pump Designation System" for material options for your pump.



CAUTION: When choosing pump materials, be sure to check the temperature limits for all wetted components. Example: FKM has a maximum limit of 177°C (350°F), but polypropylene has a maximum limit of only 79°C (175°F).



CAUTION: Pump surfaces may exceed 80°C (176°F), contact will result in burns, scalds, and other injuries. Surface temperature is dependent on the temperature of the process fluid.



CAUTION: Prevent static sparking. If static sparking occurs, fire or explosion could result. Pump, valves and containers must be grounded to a proper grounding point when handling flammable fluids and whenever discharge of static electricity is a hazard.



CAUTION: Maximum temperature limits are based on mechanical stress only. Certain chemicals will reduce maximum safe operating temperatures significantly. Consult the Chemical Resistance Guide for chemical compatibility and temperature limits.



CAUTION: All Wilden pumps are capable of passing solids. Use a strainer on the pump intake to ensure that the pump's rated solids capacity is not exceeded.



CAUTION: Do not exceed 8.6 bar (125 psig) air supply pressure.



CAUTION: Do not exceed 82°C (180°F) air inlet temperature for all models.



CAUTION: The process fluid and cleaning fluids must be compatible chemically with all wetted pump components.



CAUTION: Before attempting any maintenance or repair, disconnect the compressed air line to the pump and allow all air pressure to bleed from the pump. Disconnect all intake, discharge, and air lines. Drain the pump by turning it upside down and allowing any fluid to flow into a suitable container. Be aware of any hazardous effects of contact with your process fluid.



CAUTION: Thoroughly flush pumps before installing them into process lines. Clean and/or sanitize FDA- and USDA- approved pumps before using them.



CAUTION: Before attaching the air line to the pump, blow out the air line for 10 to 20 seconds to make sure all pipeline debris is clear. Use an in-line air filter. A 5µ (micron) air filter is recommended.



CAUTION: Pro-Flo R pumps can be used in submersible applications when using the Pro-Flo R submersible option.



CAUTION: Before installation, tighten all hardware.



NOTE: Materials of construction and elastomer material may influence suction lift parameters. Please refer to "Performance" for specifics.



NOTE: When installing PTFE diaphragms, it is important to tighten outer pistons simultaneously (turning in opposite directions) to ensure tight fit. (See "Maximum Torque Specifications").



NOTE: Some PTFE-fitted pumps come standard from the factory with expanded PTFE gaskets installed in the diaphragm bead of the liquid chamber. PTFE gaskets cannot be re-used.



NOTE: In the event of a power failure, close the shut-off valve if you do not want the pump to restart when the power returns.



NOTE: The Safety Supplement document is a part of the manual. Please refer to the Safety Supplement document for a complete list of safety considerations including considerations for safe operation and maintenance of pumps marked for ATEX environments before starting the pump.

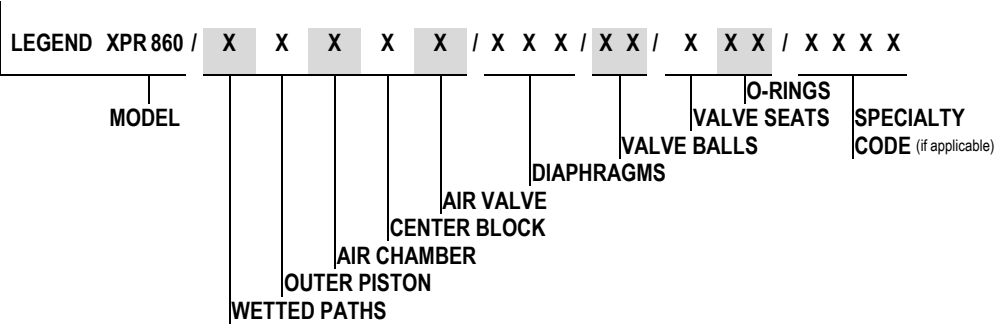
SECTION 2

WILDEN PUMP DESIGNATION SYSTEM

**PR860/PR870
METAL**

51 mm (2") Pump

Maximum Flow Rate:
651 lpm (172 gpm)



MATERIAL CODES

MODEL XPR860 = PRO-FLO® R ATEX THREADED PORTS XPR870 = PRO-FLO® R ATEX FLANGED PORTS (ANSI/DIN)	AIR VALVE A = ALUMINUM DIAPHRAGMS BNS = BUNA-N (RED DOT) EPS = EPDM NES = NEOPRENE (GREEN DOT) TNU = PTFE w/NEOPRENE BACKUP TWS = FULL-STROKE PTFE W/WIL-FLEX™ BACK-UP VTS = FKM (WHITE DOT) ZWS = WIL-FLEX™ EZ-INSTALL [SANTOPRENE® (THREE BLACK DOTS)]	VALVE BALLS BN = BUNA-N (RED DOT) EP = EPDM NE = NEOPRENE (GREEN DOT) TF = PTFE (WHITE) VT = FKM (WHITE DOT) WF = WIL-FLEX™ [SANTOPRENE® (THREE BLACK DOTS)] VALVE SEATS A = ALUMINUM S = STAINLESS STEEL BN = BUNA-N EP = EPDM NE = NEOPRENE VT = FKM (WHITE DOT) WF = WIL-FLEX™ [SANTOPRENE® (THREE BLACK DOTS)] VALVE SEAT O-RINGS TF = PTFE (WHITE)
WETTED PATH A = ALUMINUM S = STAINLESS STEEL		
OUTER PISTON A = ALUMINUM S = STAINLESS STEEL		
AIR CHAMBER A = ALUMINUM		
CENTER BLOCK A = ALUMINUM		

SPECIALTY CODES

0014 BSPT

! **NOTE:** Most elastomeric materials use colored dots for identification

! **NOTE:** Not all models are available with all material options

SECTION 3

HOW IT WORKS – AIR-OPERATED DOUBLE-DIAPHRAGM PUMP

The Wilden diaphragm pump is an air-operated, positive displacement, self-priming pump. These drawings show flow pattern through the pump upon its initial stroke. It is assumed the pump has no fluid in it prior to its initial stroke.

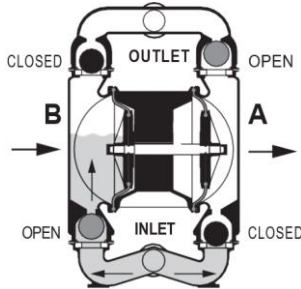


FIGURE 1 The air valve directs pressurized air to the back side of diaphragm A. The compressed air is applied directly to the liquid column separated by elastomeric diaphragms. The diaphragm acts as a separation membrane between the compressed air and liquid; a balanced load removes mechanical stress from the diaphragm. The compressed air moves the diaphragm away from the center of the pump. The opposite diaphragm is pulled in by the shaft connected to the pressurized diaphragm. Diaphragm B is on its suction stroke; air behind the diaphragm has been forced out to atmosphere through the exhaust port of the pump. The movement of diaphragm B toward the center of the pump creates a vacuum within chamber B. Atmospheric pressure forces fluid into the inlet manifold forcing the inlet valve ball off its seat. Liquid is free to move past the inlet valve ball and fill the liquid chamber (see shaded area).

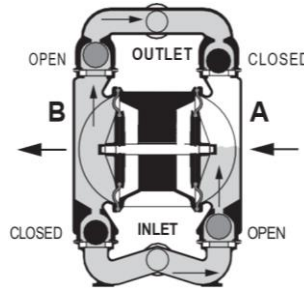


FIGURE 2 When the pressurized diaphragm, diaphragm A, reaches the limit of its discharge stroke, the air valve redirects pressurized air to the back side of diaphragm B. The pressurized air forces diaphragm B away from the center while pulling diaphragm A to the center. Diaphragm B is now on its discharge stroke. Diaphragm B forces the inlet valve ball onto its seat due to the hydraulic forces developed in the liquid chamber and manifold of the pump. These same hydraulic forces lift the discharge valve ball off its seat, while the opposite discharge valve ball is forced onto its seat, forcing fluid to flow through the pump discharge. The movement of diaphragm A toward the center of the pump creates a vacuum within liquid chamber A. Atmospheric pressure forces fluid into the inlet manifold of the pump. The inlet valve ball is forced off its seat allowing the fluid being pumped to fill the liquid chamber.

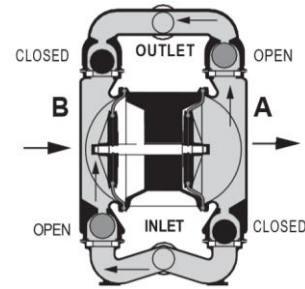
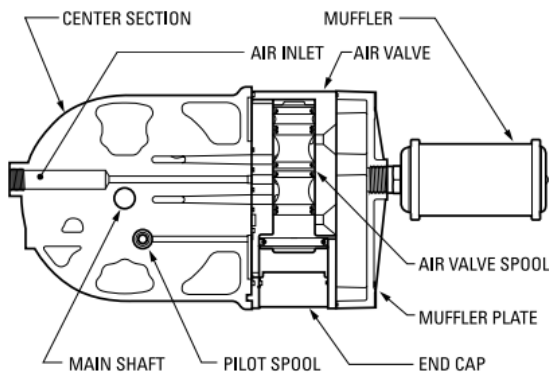


FIGURE 3 At completion of the stroke, the air valve again redirects air to the back side of diaphragm A, which starts diaphragm B on its exhaust stroke. As the pump reaches its original starting point, each diaphragm has gone through one exhaust and one discharge stroke. This constitutes one complete pumping cycle. The pump may take several cycles to completely prime depending on the conditions of the application.

HOW IT WORKS – AIR DISTRIBUTION SYSTEM

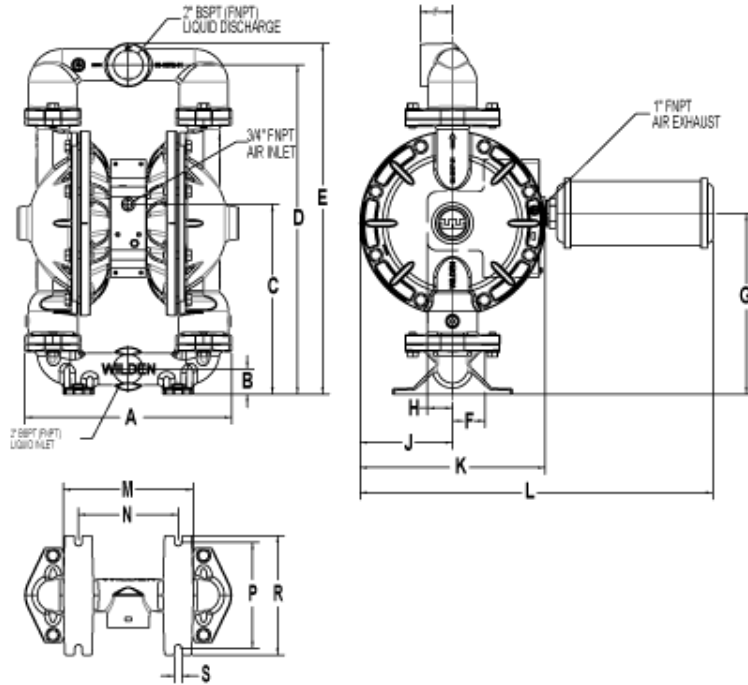


The Pro-Flo® R air distribution system incorporates two moving parts: the air valve spool and the pilot spool. The heart of the system is the air valve spool and air valve. This valve design incorporates an unbalanced spool. The smaller end of the spool is pressurized continuously, while the large end is alternately pressurized then exhausted to move the spool. The spool directs pressurized air to one air chamber while exhausting the other. The air causes the main shaft/diaphragm assembly to shift to one side — discharging liquid on that side and pulling liquid in on the other side. When the shaft reaches the end of its stroke, the inner piston actuates the pilot spool, which pressurizes and exhausts the large end of the air valve spool. The repositioning of the air valve spool routes the air to the other air chamber.

SECTION 4

DIMENSIONAL DRAWING

PR860 ALUMINUM

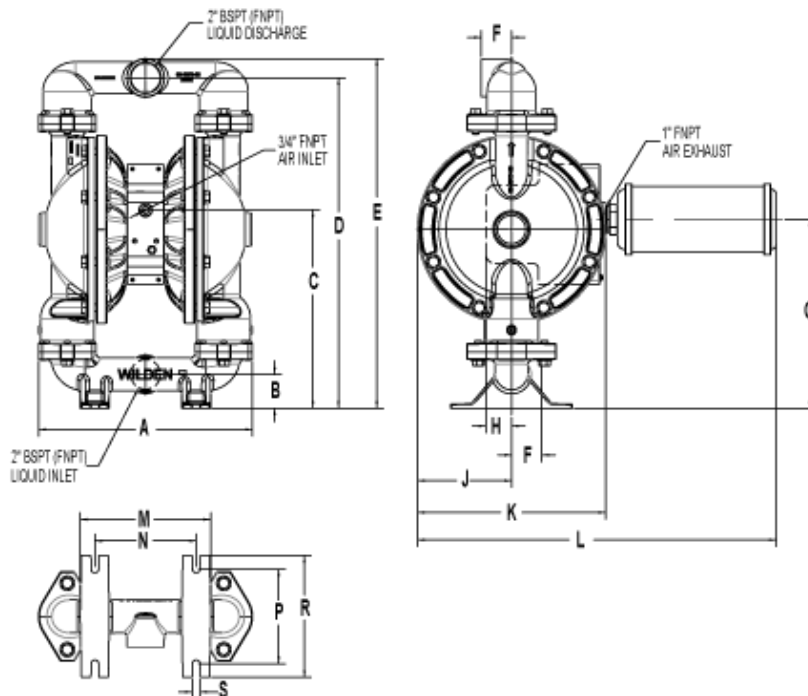


DIMENSIONS

ITEM	METRIC (mm)	STANDARD (inch)
A	394	15.5
B	48	1.9
C	346	13.6
D	630	24.8
E	670	26.4
F	62	2.4
G	349	13.8
H	49	1.9
J	177	7.0
K	355	14.0
L	552	21.7
M	249	9.8
N	190	7.5
P	203	8.0
R	229	9.0
S	14	0.6

TJPR860-01 REV. A

PR860 STAINLESS STEEL



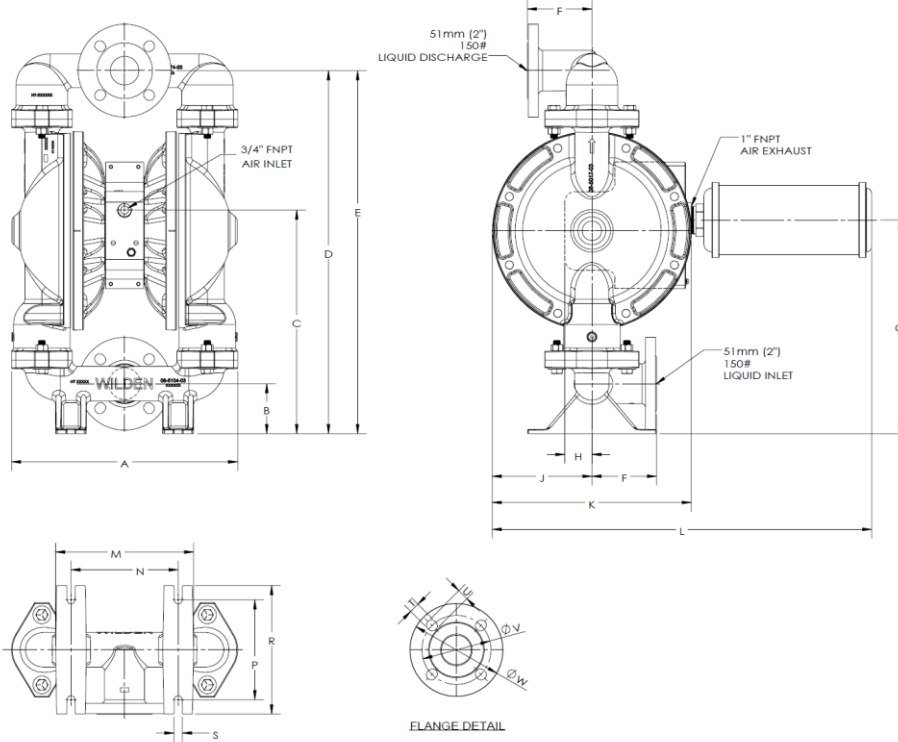
DIMENSIONS

ITEM	METRIC (mm)	STANDARD (inch)
A	401	15.8
B	64	2.5
C	356	14.0
D	620	24.4
E	655	25.8
F	58	2.3
G	358	14.1
H	48	1.9
J	178	7.0
K	356	14.0
L	551	21.7
M	244	9.6
N	191	7.5
P	178	7.0
R	229	9.0
S	15	0.6

TJPR860-02 REV. A

DIMENSIONAL DRAWING

PR870 STAINLESS STEEL



DIMENSIONS

ITEM	METRIC (mm)	STANDARD (inch)
A	401	15.8
B	89	3.5
C	381	15.0
D	646	25.4
E	727	28.6
F	115	4.5
G	384	15.1
H	48	1.9
J	178	7.0
K	356	14.0
L	551	21.7
M	244	9.6
N	191	7.5
P	178	7.0
R	229	9.0
S	15	0.6
T	18	0.71
U	20	0.79
V	122	4.8
W	165	6.5

TJPR870-02 REV. A

SECTION 5

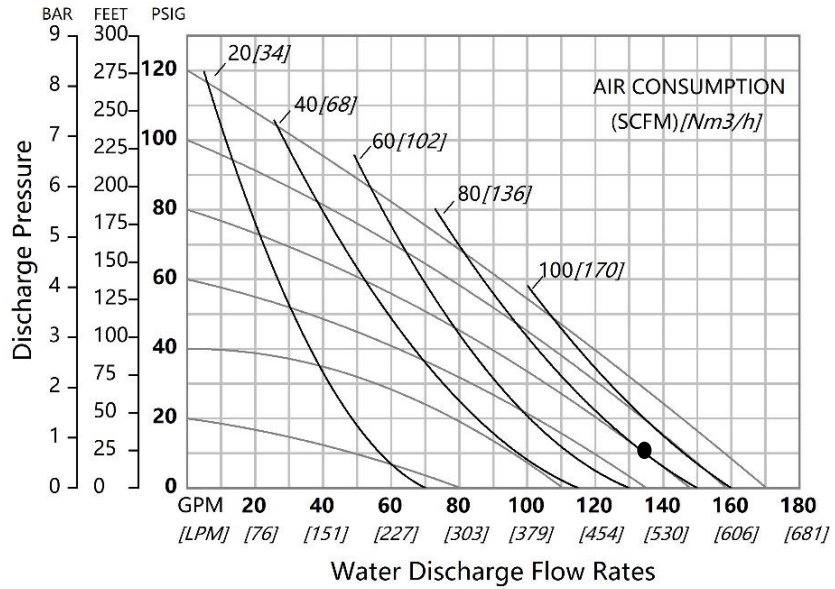
PERFORMANCE

PR860/PR870 METAL RUBBER-FITTED

Ship Weight.....Aluminum 32 kg (70 lb)
 316 Stainless Steel Threaded 55 kg (121 lb)
 316 Stainless Steel Flanged 62 kg (137 lb)
 Air Inlet.....3/4"
 Inlet.....51 mm (2")
 Outlet.....51 mm (2")
 Suction Lift.....5.9 m Dry (19.5')
 8.7 m Wet (29.4')
 Disp. per Stroke¹.....2.8 L (0.74 gal)
 Max. Flow Rate.....651 lpm (172 gpm)
 Max. Size Solids.....6.4 mm (1/4")

¹Displacement per stroke was calculated at 4.8 bar (70 psig) air inlet pressure against a 2.1 bar (30 psig) head pressure.

Example: A PR860 metal rubber-fitted pump achieved a flow rate of 511 lpm (135 gpm) using 136 Nm³/h (80 scfm) of air when run at 5.6 bar (80 psig) air inlet pressure and 0.7 bar (10 psig) discharge pressure.



Flow rates indicated on chart were determined by pumping water. For optimum life and performance, pumps should be specified so that daily operation parameters will fall in the center of the pump's performance curve.

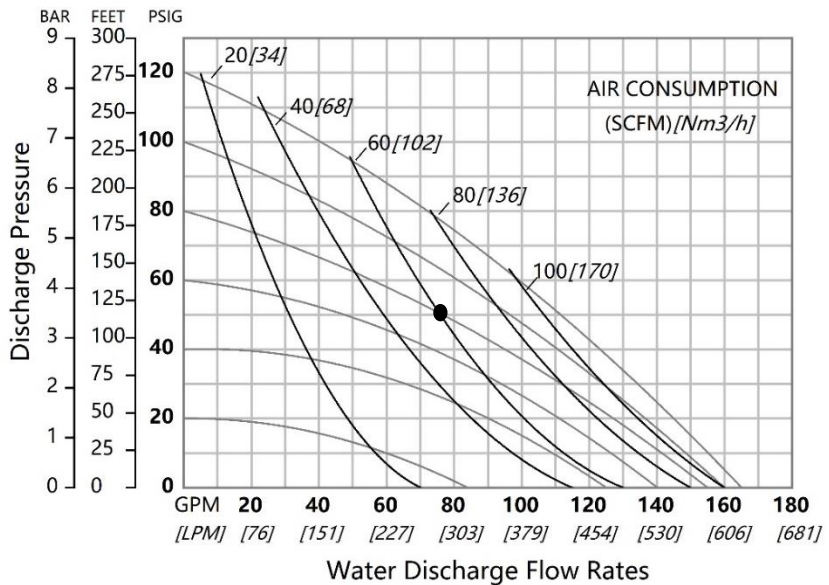
Caution: Do not exceed 8.6 bar (125 psig) air supply pressure.

PR860/PR870 METAL EZ-INSTALL TPE-FITTED

Ship Weight.....Aluminum 32 kg (70 lb)
 316 Stainless Steel Threaded 55 kg (121 lb)
 316 Stainless Steel Flanged 62 kg (137 lb)
 Air Inlet.....3/4"
 Inlet.....51 mm (2")
 Outlet.....51 mm (2")
 Suction Lift.....7.6 m Dry (25')
 9.7 m Wet (31.8')
 Disp. per Stroke¹.....2.5 L (0.67 gal)
 Max. Flow Rate.....625 lpm (165 gpm)
 Max. Size Solids.....6.4 mm (1/4")

¹Displacement per stroke was calculated at 4.8 bar (70 psig) air inlet pressure against a 2.1 bar (30 psig) head pressure.

Example: A PR860 metal EZ-Install Wil-Flex-fitted pump achieved a flow rate of 288 lpm (76 gpm) using 102 Nm³/h (60 scfm) of air when run at 5.6 bar (80 psig) air inlet pressure and 3.5 bar (50 psig) discharge pressure.



Flow rates indicated on chart were determined by pumping water. For optimum life and performance, pumps should be specified so that daily operation parameters will fall in the center of the pump's performance curve.

Caution: Do not exceed 8.6 bar (125 psig) air supply pressure.

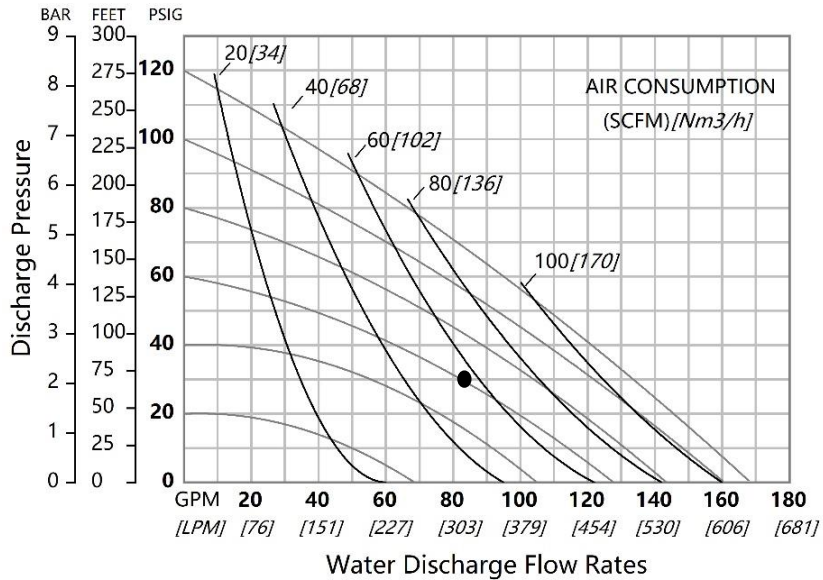
PERFORMANCE

**PR860/PR870 METAL
FULL-STROKE
PTFE-FITTED**

Ship Weight.....Aluminum 32 kg (70 lb)
 316 Stainless Steel Threaded 55 kg (121 lb)
 316 Stainless Steel Flanged 62 kg (137 lb)
 Air Inlet.....3/4"
 Inlet.....51 mm (2")
 Outlet.....51 mm (2")
 Suction Lift.....6.2 m Dry (20.8')
 9.0 m Wet (29.5')
 Disp. per Stroke¹.....2.4 L (0.65 gal)
 Max. Flow Rate.....636 lpm (168 gpm)
 Max. Size Solids.....6.4 mm (1/4")

¹Displacement per stroke was calculated at 4.8 bar (70 psig) air inlet pressure against a 2.1 bar (30 psig) head pressure.

Example: A PR860 metal full-stroke PTFE-fitted pump achieved a flow rate of 310 lpm (82 gpm) using 90 Nm³/h (53 scfm) of air when run at 4.2 bar (60 psig) air inlet pressure and 2.1 bar (30 psig) discharge pressure.



Flow rates indicated on chart were determined by pumping water. For optimum life and performance, pumps should be specified so that daily operation parameters will fall in the center of the pump's performance curve.

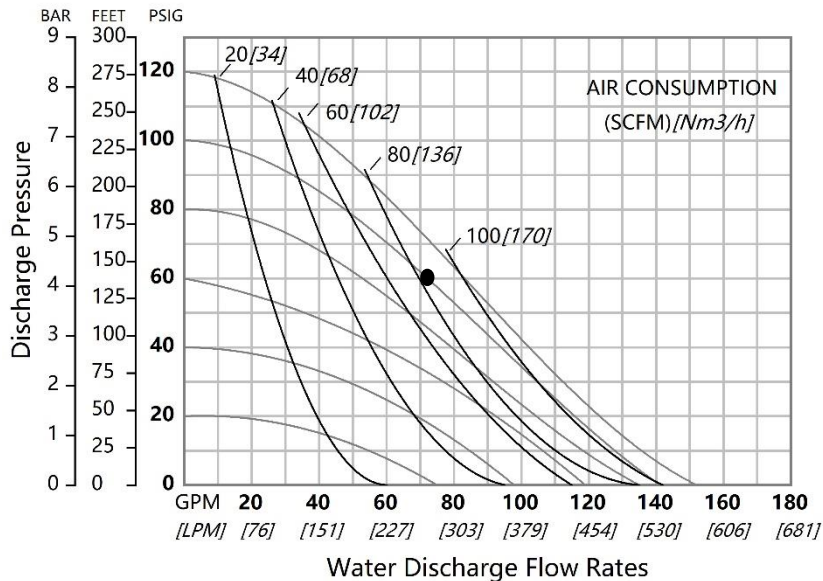
Caution: Do not exceed 8.6 bar (125 psig) air supply pressure.

**PR860/PR870 METAL
REDUCED-STROKE
PTFE-FITTED**

Ship Weight.....Aluminum 32 kg (70 lb)
 316 Stainless Steel Threaded 55 kg (121 lb)
 316 Stainless Steel Flanged 62 kg (137 lb)
 Air Inlet.....3/4"
 Inlet.....51 mm (2")
 Outlet.....51 mm (2")
 Suction Lift.....4.4 m Dry (14.5')
 9.0 m Wet (29.5')
 Disp. per Stroke¹.....1.7 L (0.45 gal)
 Max. Flow Rate.....575 lpm (152 gpm)
 Max. Size Solids.....6.4 mm (1/4")

¹Displacement per stroke was calculated at 4.8 bar (70 psig) air inlet pressure against a 2.1 bar (30 psig) head pressure.

Example: A PR860 metal reduced-stroke PTFE-fitted pump achieved a flow rate of 273 lpm (72 gpm) using 139 Nm³/h (82 scfm) of air when run at 7 bar (100 psig) air inlet pressure and 4.2 bar (60 psig) discharge pressure.



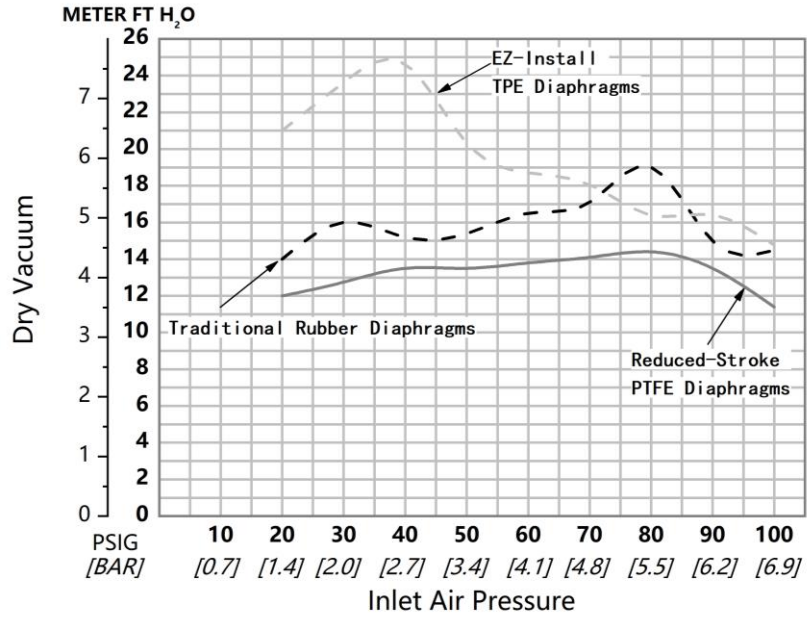
Flow rates indicated on chart were determined by pumping water. For optimum life and performance, pumps should be specified so that daily operation parameters will fall in the center of the pump's performance curve.

Caution: Do not exceed 8.6 bar (125 psig) air supply pressure.

SUCTION LIFT CAPABILITY

**PR860/PR870 METAL
SUCTION LIFT CAPABILITY**

Suction-lift curves are calibrated for pumps operating at 305 m (1,000') above sea level. This chart is meant to be a guide only. There are many variables that can affect your pump's operating characteristics. The number of intake and discharge elbows, viscosity of pumping fluid, elevation (atmospheric pressure) and pipe friction loss all affect the amount of suction lift your pump will attain.



SECTION 6

SUGGESTED INSTALLATION, OPERATION, MAINTENANCE
AND TROUBLESHOOTING

Wilden pumps are designed to meet the performance requirements of even the most demanding pumping applications. They have been designed and manufactured to the highest standards and are available in a variety of liquid path materials to meet your chemical resistance needs. Refer to "Performance" for an in-depth analysis of the performance characteristics of your pump. Wilden offers the widest variety of elastomer options in the industry to satisfy temperature, chemical compatibility, abrasion resistance and flex concerns.

The suction pipe size should be at least equal to or larger than the diameter size of the suction inlet on your Wilden pump. The suction hose must be a non-collapsible, reinforced type because these pumps are capable of pulling a high vacuum. Discharge piping should also be equal to or larger than the diameter of the pump discharge, which will help reduce friction losses.



CAUTION: All fittings and connections must be airtight. Otherwise, pump suction capability will be reduced or lost.

Months of careful planning, study and selection efforts can result in unsatisfactory pump performance if installation details are left to chance. You can avoid premature failure and long-term dissatisfaction by exercising reasonable care throughout the installation process.

Location

Noise, safety and other logistical factors usually dictate where equipment will be situated on the production floor. Multiple installations with conflicting requirements can result in congestion of utility areas, leaving few choices for additional pumps. Within the framework of these and other existing conditions, locate every pump in such a way that the following six key factors are balanced against each other to maximum advantage:

- **Access:** First, the location should be accessible. If it's easy to reach the pump, maintenance personnel will be able to perform routine inspections and adjustments more easily. If major repairs become necessary, ease of access can play a key role in speeding the repair process and reducing total downtime.
- **Air Supply:** Every pump location should have an air line large enough to supply the volume of air necessary to achieve the desired pumping rate. For best results, the pumps should use a 5µ (micron) air filter, needle valve and regulator. The use of an air filter before the pump will ensure that the majority of any pipeline contaminants will be eliminated.
- **Solenoid Operation:** When operation is controlled by a solenoid valve in the air line, three-way valves should be used. This valve allows trapped air between the valve and the pump to bleed off, which improves pump performance. You can estimate pumping volume by counting the number of strokes per minute, and then multiplying that figure by the displacement per stroke.
- **Muffler:** Using the standard Wilden muffler, sound levels are reduced below OSHA specifications. You can use other mufflers to reduce sound levels farther, but they usually reduce pump performance.
- **Elevation:** Selecting a site that is well within the pump's dynamic lift capability will assure that loss-of-prime issues will

be eliminated. In addition, pump efficiency can be adversely affected if proper attention is not given to site location.

- **Piping:** Final determination of the pump site should not be made until the piping challenges of each possible location have been evaluated. The impact of current and future installations should be considered ahead of time to make sure that inadvertent restrictions are not created for any remaining sites.

The best choice possible will be a site involving the shortest and straightest hook-up of suction and discharge piping. Unnecessary elbows, bends and fittings should be avoided. Pipe sizes should be selected to keep friction losses within practical limits. All piping should be supported independently of the pump. In addition, the piping should be aligned to avoid placing stress on the pump fittings.

Flexible hose can be installed to aid in absorbing the forces created by the natural reciprocating action of the pump. If the pump is to be bolted down to a solid location, a mounting pad placed between the pump and the foundation will assist in minimizing pump vibration. Flexible connections between the pump and rigid piping will also assist in minimizing pump vibration. If quick-closing valves are installed at any point in the discharge system, or if pulsation within a system becomes a problem, a surge suppressor (SD Equalizer) should be installed to protect the pump, piping and gauges from surges and water hammer.

If the pump is to be used in a self-priming application, make sure that all connections are airtight and that the suction lift is within the model's ability.



NOTE: Materials of construction and elastomer material have an effect on suction lift parameters. Please refer to "Performance" for specifics.

When pumps are installed in applications involving flooded suction or suction head pressures, a gate valve should be installed in the suction line to permit closing of the line for pump service.

Pumps in service with a positive suction head are most efficient when inlet pressure is limited to 0.5–0.7 bar (7–10 psig). Premature diaphragm failure may occur if positive suction is 0.7 bar (10 psig) and higher.

Single-Point Exhaust

Pro-Flo R pumps can be used for submersible applications when using the Pro-Flo R's single-point exhaust.

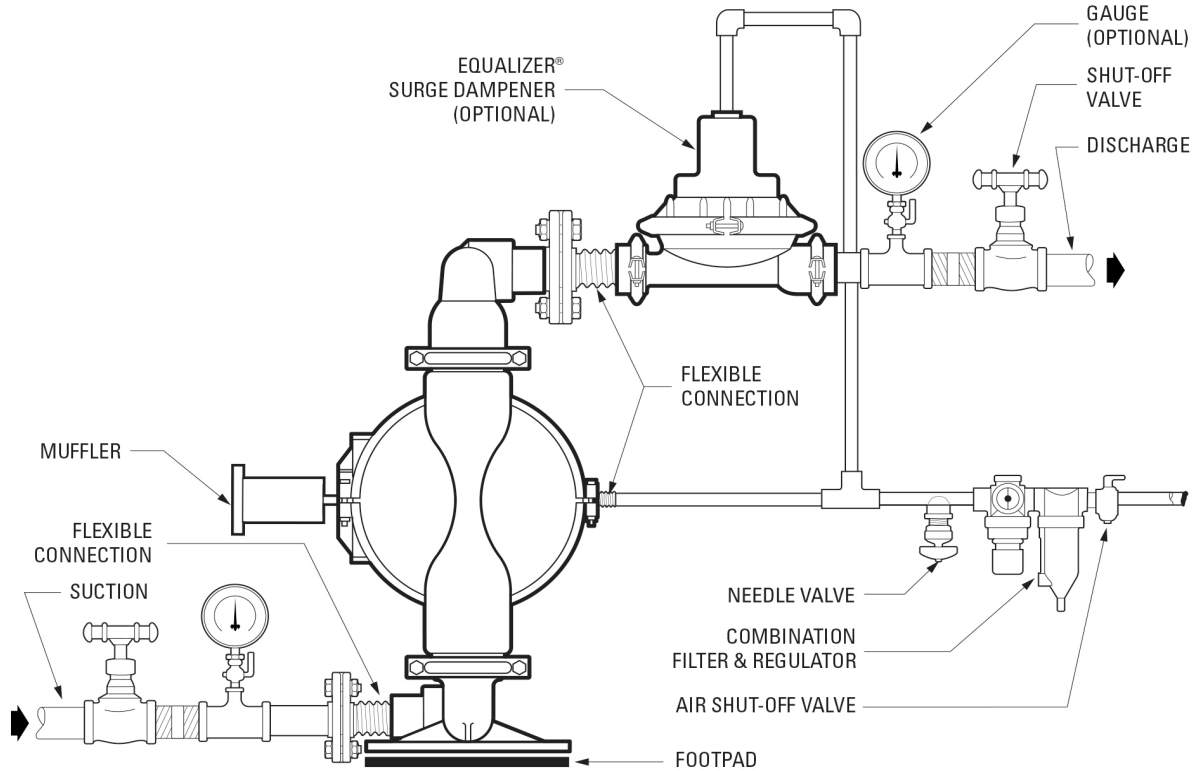


CAUTION: All Wilden pumps are capable of passing solids. Use a strainer on the pump intake to ensure that the pump's rated solids capacity is not exceeded.



CAUTION: Do not exceed 8.6 bar (125 psig) air supply pressure.

SUGGESTED INSTALLATION, OPERATION, MAINTENANCE AND TROUBLESHOOTING



! **NOTE:** In the event of a power failure, close the shut-off valve if you do not want the pump to restart when the power returns.

Air-Operated Pumps: To stop the pump from operating in an emergency, simply close the shut-off valve (user-supplied) installed in the air supply line. A properly functioning valve will stop the air supply to the pump, therefore stopping output. This shut-off valve should be located far enough away from the pumping equipment such that it can be reached safely in an emergency.

Operation

The Pro-Flo R pumps are pre-lubricated and do not require in-line lubrication. Additional lubrication will not damage the pump. However, if the pump is heavily lubricated by an external source, the pump's internal lubrication maybe washed away. If the pump is then moved to a nonlubricated location, it may need to be disassembled and re-lubricated as described in "Disassembly/ Reassembly".

Pump discharge rate can be controlled by limiting the volume and/or pressure of the air supply to the pump. An air regulator is used to regulate air pressure. A needle valve is used to regulate volume. Pump discharge rate also can be controlled by throttling the pump discharge by partially closing a valve in the discharge line of the pump. This action increases friction loss, which reduces flow rate. (See "Performance") This is useful when the need exists

to control the pump from a remote location. When the pump discharge pressure equals or exceeds the air supply pressure, the pump will stop. No bypass or pressure relief valve is needed, and pump damage will not occur. The pump has reached a "deadhead" situation and can be restarted by reducing the fluid discharge pressure or increasing the air inlet pressure. Wilden Pro-Flo SHIFT pumps run solely on compressed air and do not generate heat. Therefore, your process fluid temperature will not be affected.

Maintenance and Inspections

Because each application is unique, maintenance schedules maybe different for every pump. Frequency of use, line pressure, viscosity and abrasiveness of process fluid all affect the parts life of a Wilden pump. Periodic inspections have been found to offer the best means for preventing unscheduled pump downtime. Personnel familiar with the pump's construction and service should be informed of any abnormalities that are detected during operation.

SUGGESTED INSTALLATION, OPERATION, MAINTENANCE AND TROUBLESHOOTING

Troubleshooting

Pump will not run or runs slowly.

1. Remove plug from pilot spool exhaust.
2. Ensure that the air inlet pressure is at least 0.4 bar (5 psig) above startup pressure and that the differential pressure (the difference between air inlet and liquid discharge pressures) is not less than 0.7 bar (10 psig).
3. Check air inlet filter for debris (see "Suggested Installation, Operation, Maintenance and Troubleshooting").
4. Check for extreme air leakage (blow by) that would indicate worn seals/bores in the air valve, pilot spool and main shaft.
5. Disassemble the pump and check for obstructions in the air passageways or objects that would obstruct the movement of internal parts.
6. Check for sticking ball check valves.
 - a. If material being pumped is not compatible with pump elastomers, swelling may occur. Replace ball check valves and seals with proper elastomers.
 - b. Also, as the check valve balls wear out, they become smaller and can become stuck in the seats. In this case, replace balls and seats.
7. Check for any broken inner piston that would cause the air valve spool to be unable to shift.

Pump runs, but little or no product flows.

1. Check for pump cavitation. Slow pump speed down to allow thick material to flow into liquid chambers.
2. Verify that vacuum required to lift liquid is not greater than the vapor pressure of the material being pumped (cavitation).
3. Check for sticking ball check valves.
 - a. If material being pumped is not compatible with pump elastomers, swelling may occur. Replace ball check valves and seals with proper elastomers.
 - b. Also, as the check valve balls wear out, they become smaller and can become stuck in the seats. In this case, replace balls and seats.

Pump air valve freezes.

1. Check for excessive moisture in the compressed air.
 - a. Either install a dryer or a hot air generator for compressed air.
 - b. Alternatively, you may use coalescing filter to remove the water from the compressed air in some applications.

Air bubbles in pump discharge.

1. Check for a ruptured diaphragm.
2. Check tightness of outer pistons (see "Disassembly/Reassembly").
3. Check tightness of fasteners and integrity of O-rings and seals, especially at intake manifold.
4. Ensure pipe connections are airtight.

Product comes out air exhaust.

1. Check for a diaphragm rupture.
2. Check the tightness of the outer pistons to the shaft.

SECTION 7

DISASSEMBLY / REASSEMBLY

PUMP DISASSEMBLY

Tools Required:

- 3/4" Socket Wrench
- Adjustable Wrench
- Vise equipped with soft jaws (such as plywood, plastic or other suitable material)



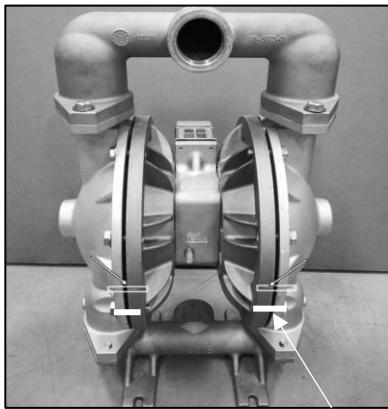
CAUTION: Before attempting any maintenance or repair, disconnect the compressed air line to the pump and allow all air pressure to bleed from the pump. Disconnect all intake, discharge, and air lines. Drain the pump by turning it upside down and allowing any fluid to flow into a suitable container. Be aware of any hazardous effects of contact with your process fluid.



NOTE: Your specific pump model may vary from the configuration shown; however, pump disassembly procedure will be the same.

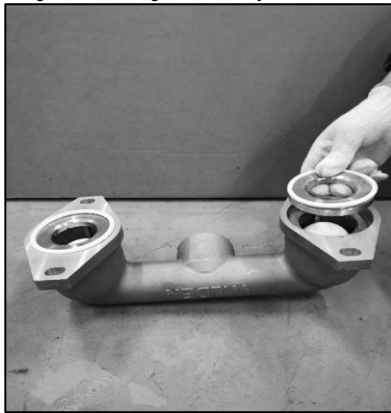


NOTE: Replace worn parts with genuine Wilden parts for reliable performance.



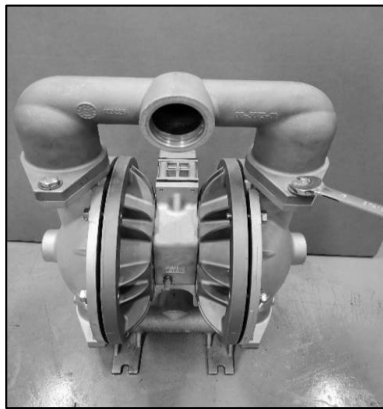
Step 1

Before starting disassembly, mark a line from each liquid chamber to its corresponding air chamber. This line will assist in proper alignment during reassembly.



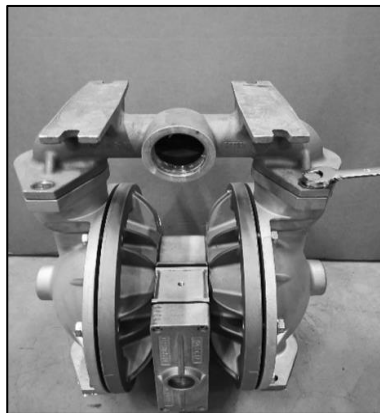
Step 4

Remove the discharge valve balls and valve seats from the liquid chambers and inspect for nicks, gouges, chemical attack or abrasive wear. Replace worn parts with genuine Wilden parts for reliable performance.



Step 2

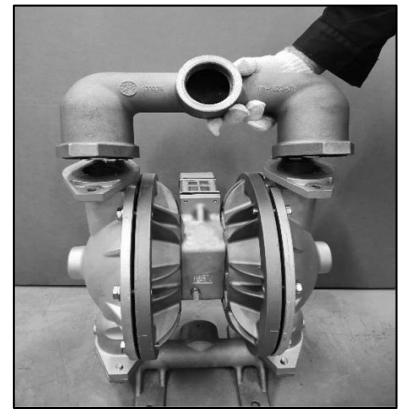
Using the appropriate-sized wrench, loosen the discharge manifold from the liquid chambers.



Step 5

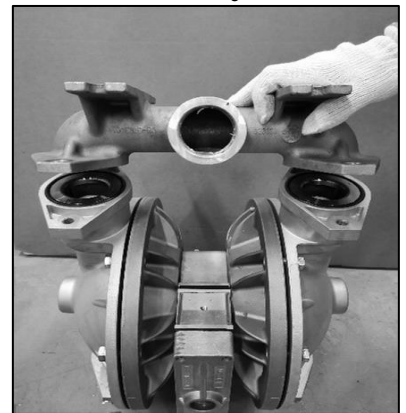
Using the appropriate-sized wrench, loosen the inlet manifold from the liquid chambers.

NOTE: Inverting the pump will facilitate removal of inlet manifold.



Step 3

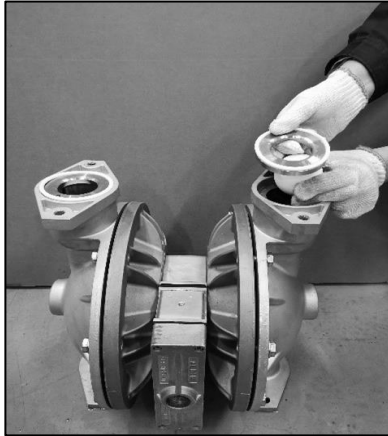
Lift the discharge manifold to expose discharge valve balls and valve seats. Inspect ball cage area of manifold for excessive wear or damage.



Step 6

Remove the inlet manifold to expose the valve balls and valve seats. Inspect ball cage area of manifold for excessive wear or damage.

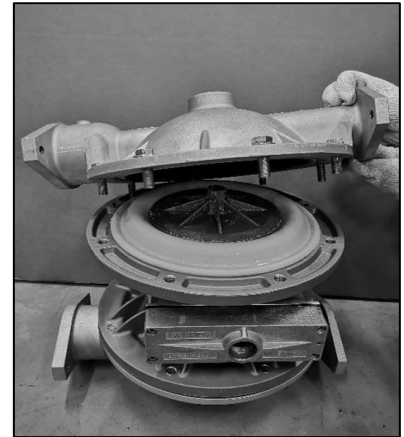
DISASSEMBLY / REASSEMBLY

**Step 7**

Remove the inlet valve balls and valve seats from the inlet manifold and liquid chambers and inspect for nicks, gouges, chemical attack or abrasive wear. Replace worn parts with genuine Wilden parts for reliable performance.

**Step 8**

Using the appropriate-sized wrench, remove the liquid chamber from the center section.

**Step 9**

The liquid chamber should be removed to expose the diaphragm and outer piston. Rotate center section and remove the opposite liquid chamber.

**Step 10**

After loosening and removing the outer piston the diaphragm assembly can be disassembled.

**Step 11**

To remove the diaphragm assembly from shaft, secure shaft with soft jaws (aluminum, plastic, or plywood) to ensure the shaft is not damaged. Using an adjustable wrench, remove the diaphragm assembly from the shaft.

DISASSEMBLY / REASSEMBLY**AIR VALVE / CENTER SECTION DISASSEMBLY****Tools Required:**

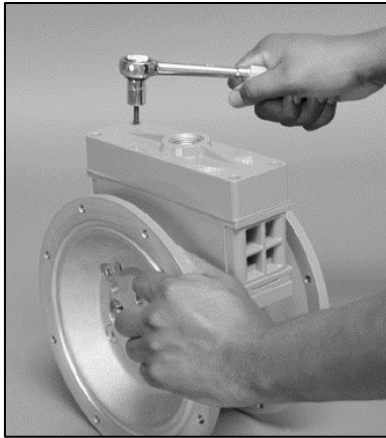
- 5 mm (3/16") Hex-Head Wrench
- 1/4" Hex-Head Wrench
- Snap-Ring Pliers
- O-Ring Pick



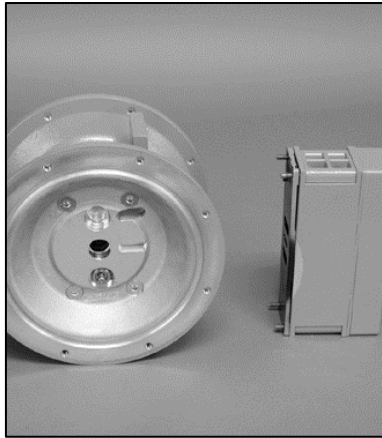
CAUTION: Before attempting any maintenance or repair, disconnect the compressed air line to the pump and allow all air pressure to bleed from the pump. Disconnect all intake, discharge, and air lines. Drain the pump by turning it upside down and allowing any fluid to flow into a suitable container. Be aware of any hazardous effects of contact with your process fluid.



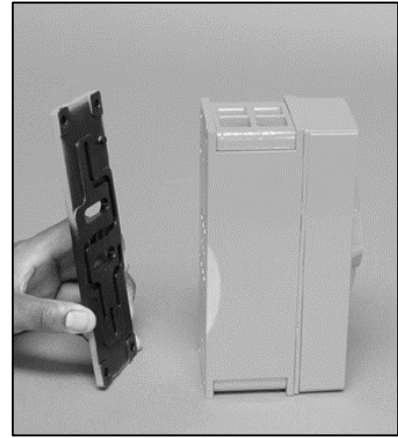
NOTE: Replace worn parts with genuine Wilden parts for reliable performance.

**Step 1**

Loosen the air valve bolts utilizing a 5 mm (3/16") Allen wrench.

**Step 2**

Remove muffer plate and air valve bolts from air valve assembly exposing muffer gasket for inspection. Replace if necessary.

**Step 3**

Lift away air valve assembly and remove air valve gasket for inspection. Replace if necessary.

DISASSEMBLY / REASSEMBLY

**Step 4**

Remove air valve end cap to expose air valve spool by simply lifting up on end cap once air valve bolts are removed.

NOTE: Pro-Flo R air valve incorporates an end cap at both ends of the air valve.

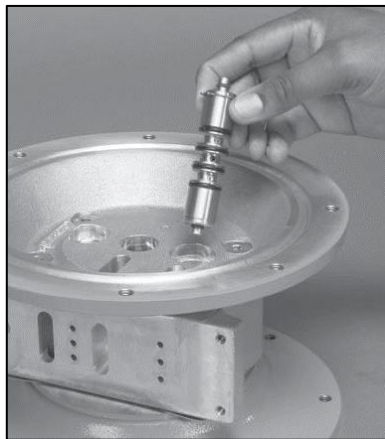
**Step 5**

Remove air valve spool from air valve body by threading one air valve bolt into the end of the spool and gently sliding the spool out of the air valve body. Inspect seals for signs of wear and replace entire assembly if necessary. Use caution when handling air valve spool to prevent damaging seals.

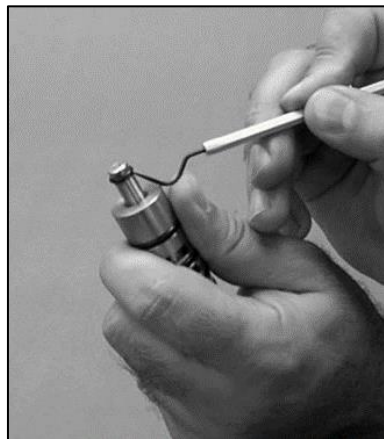
NOTE: Seals should not be removed from assembly. Seals are not sold separately

**Step 6**

Remove pilot spool sleeve retaining snap ring on both sides of center section with snap ring pliers.

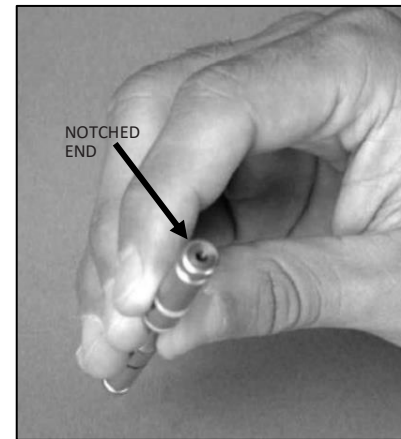
**Step 7**

Remove pilot spool sleeve from center section.

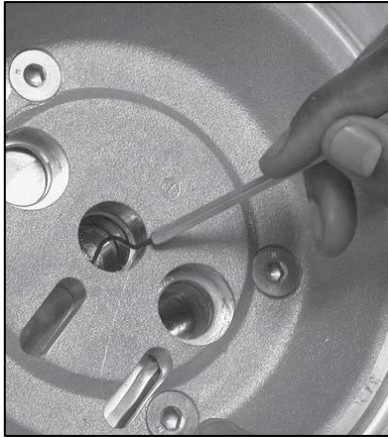
**Step 8**

With O-ring pick, gently remove the O-ring from the opposite side of the center hole cut on the spool. Gently remove the pilot spool from sleeve and inspect for nicks, gouges or other signs of wear. Replace pilot sleeve assembly or outer sleeve O-rings if necessary. During reassembly never insert the pilot spool into the sleeve with the center cut side first, this end incorporates the urethane O-ring and will be damaged as it slides over the ports cut in the sleeve.

NOTE: Do not remove seals from the pilot spool. Seals are not sold separately.



DISASSEMBLY / REASSEMBLY

**Step 9**

Check center section shaft seals for signs of wear. If necessary, remove the shaft seals with O-ring pick and replace.

REASSEMBLY HINTS AND TIPS

Upon performing applicable maintenance to the air distribution system, the pump can now be reassembled. Please refer to the disassembly instructions for photos and parts placement.

To reassemble the pump, follow the disassembly instructions in reverse order. The air distribution system needs to be assembled first, then the diaphragms and finally the wetted path. The applicable torque specifications are on this page.

The following tips will assist in the assembly process:

- Lubricate the air valve bore, center section shaft and pilot spool bore with NLGI grade 2 white EP bearing grease or equivalent.
- Clean the inside of the center section shaft bore to ensure no damage is done to new shaft seals.
- A small amount of NLGI grade 2 white EP bearing grease can be applied to the muffler and air valve gaskets to lubricate gaskets during assembly.
- Make sure that the exhaust port on the muffler plate is centered between the two exhaust ports on the center section.
- Stainless bolts should be lubed to reduce the possibility of seizing during tightening.

Maximum Torque Specifications	
Description	Torque
Air Valve	13.6 N•m (120 in-lb)
Air Chamber/Center Block	27.1 N•m (20 ft-lb)
Liquid Chamber/Air Chamber, Aluminum Bolted Only	27.1 N•m (20 ft-lb)
Liquid Chamber/Air Chamber, Stainless-Steel Bolted Only	54.2 N•m (40 ft-lb)
Outer Pistons	109 N•m (80 ft-lb)

DISASSEMBLY / REASSEMBLY

SHAFT SEAL INSTALLATION

Pre-Installation

After all the old seals have been removed, the inside of the bushing should be cleaned to ensure no debris is left that may cause premature damage to the new seals.

Installation

1. To prevent damaging the inside surface of the new seal, wrap electrical tape around each leg of the needle-nose pliers. (Heat shrink tubing may also be used.)
2. With a new seal in hand, place the two legs of the needle-nose pliers inside the seal ring. (See Figure A.)
3. Open the pliers as wide as the seal diameter will allow, then with two fingers pull down on the top portion of the seal to form a kidney bean shape. (See Figure B.)
4. Lightly clamp the pliers together to hold the seal into the kidney shape. Be sure to pull the seal into as tight of a kidney shape as possible. This will allow the seal to travel down the bushing bore with greater ease.
5. With the seal clamped in the pliers, insert the seal into the bushing bore and position the bottom of the seal into the correct groove. When the bottom of the seal is seated in the groove, release the clamp pressure on the pliers. This will allow the seal to partially snap back to its original shape.
6. After removing the pliers, you will notice a slight bump in the seal shape. Before the seal can be resized properly, the bump in the seal should be removed as much as possible. This can be done with either a Phillips screwdriver or your finger. With the side of the screwdriver or your finger, apply light pressure to the peak of the bump. This pressure will cause the bump to be eliminated almost completely.
7. Lubricate the edge of the shaft with NLGI grade 2 white EP bearing grease.
8. Slowly insert the center shaft with a rotating motion. This will complete the resizing of the seal.
9. Repeat these steps for the remaining seals.

Tools

The following tools can be used to aid in the installation of the new seals:

- Needle-Nose Pliers
- Phillips Screwdriver
- Electrical Tape

Figure A

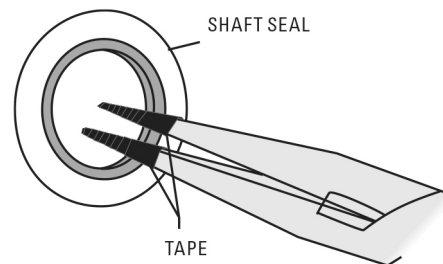
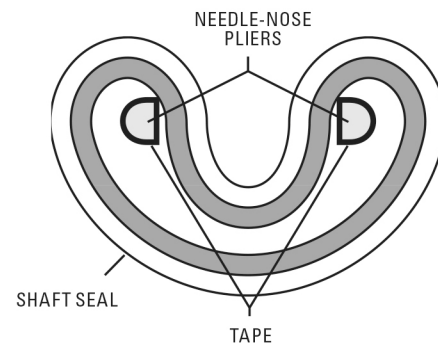


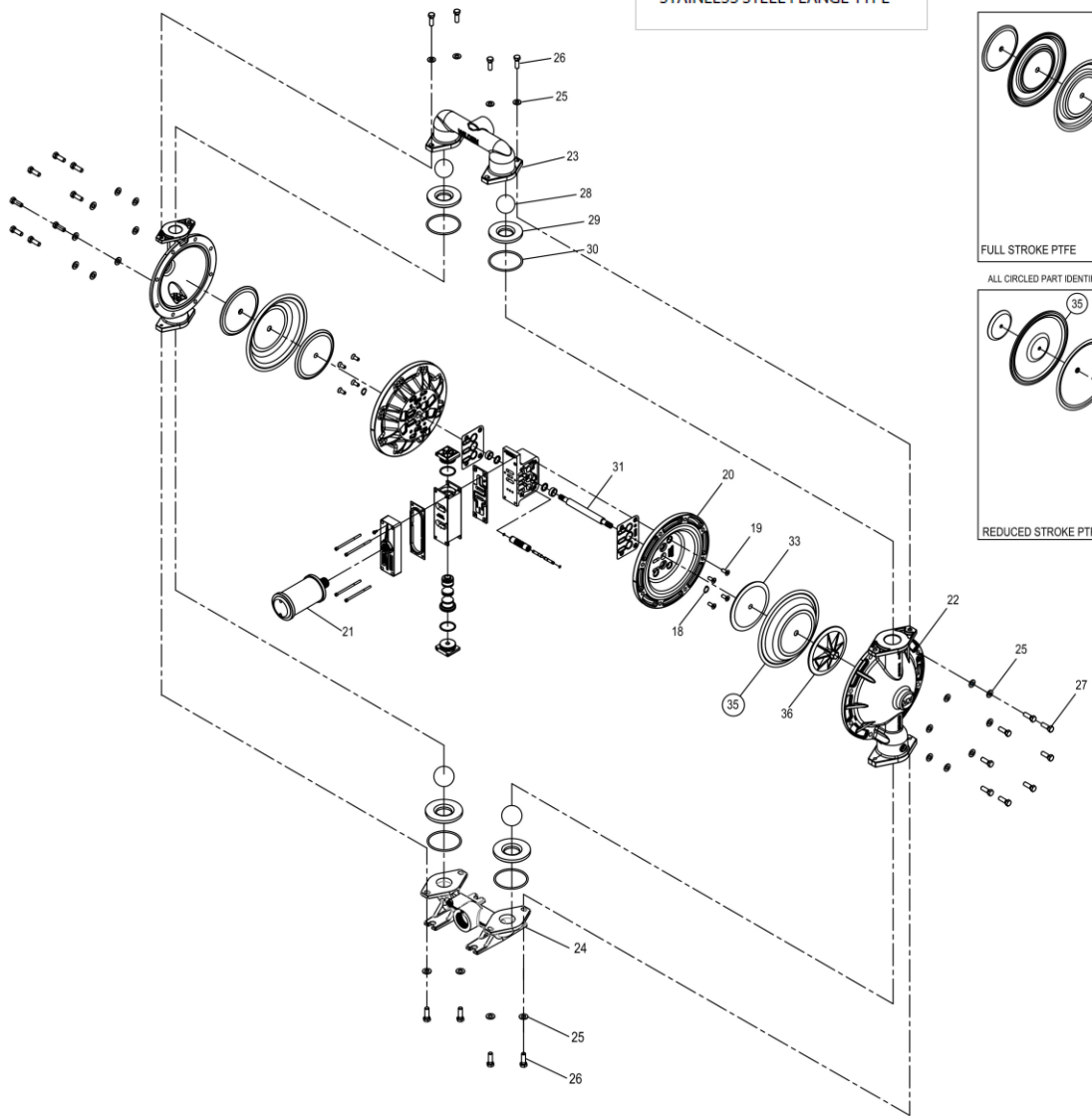
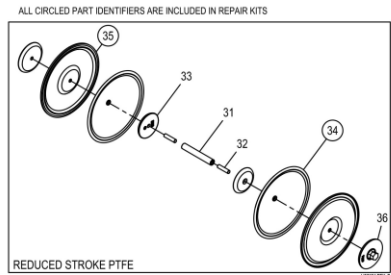
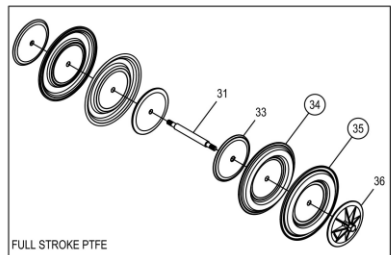
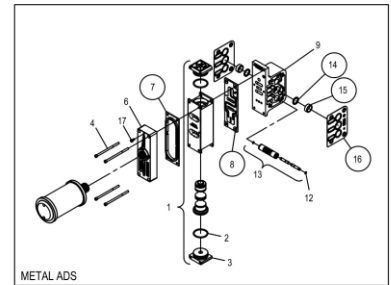
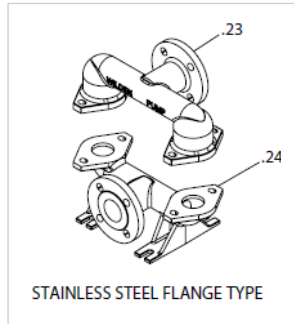
Figure B



SECTION 8

EXPLODED VIEW AND PARTS LIST

PR860/PR870



ALL CIRCLED PART IDENTIFIERS ARE INCLUDED IN REPAIR KITS

TJPR860/TJPR870-03 REV.A

No.	Description	Qty.	PR860/AAAAA/.../ P/N	PR860/SSAAA/.../ P/N	PR870/SSAAA/.../ P/N
AIR DISTRIBUTION COMPONENTS					
1	Pro-Flo V™ Assembly, Air Valve ¹	1	04-2030-01	04-2030-01	04-2030-01
2	O-Ring (-225), End Cap (Ø1.859 x Ø.139)	2	04-2390-52-700	04-2390-52-700	04-2390-52-700
3	End Cap	2	04-2340-01	04-2340-01	04-2340-01
4	Screw, SHC, Air Valve (1/4"-20 x 4-1/2")	4	01-6000-03	01-6000-03	01-6000-03
6	Muffler Plate, Pro-Flo V™	1	04-3185-01	04-3185-01	04-3185-01
7	Gasket, Muffler Plate, Pro-Flo V™	1	04-3502-52	04-3502-52	04-3502-52
8	Gasket, Air Valve, Pro-Flo V™	1	04-2620-52	04-2620-52	04-2620-52
9	Center Block Assembly, Pro-Flo® R	1	T08-3126-01	T08-3126-01	T08-3126-01
10	O-Ring (-210), Adjuster (Ø.734" x Ø.139")	1	02-3200-52	02-3200-52	02-3200-52
12	O-Ring (-009) Pilot Spool Retaining (Ø.208 x Ø.070)	2	04-2650-49-700	04-2650-49-700	04-2650-49-700
13	Pilot Sleeve Assembly	1	04-3880-99	04-3880-99	04-3880-99
14	Shaft Seal	2	08-3210-55-225	08-3210-55-225	08-3210-55-225
15	Bushing, Shaft	2	08-3306-13	08-3306-13	08-3306-13
16	Gasket, Center Block Pro-Flo® R	2	04-3529-56	04-3529-56	04-3529-56
17	Screw, 10-32 X .50 Self-Tapping Grounding	1	04-6345-08	04-6345-08	04-6345-08
18	Retaining Ring	2	04-3890-03	04-3890-03	04-3890-03
19	Screw, HSFHS (3/8"-16 x 1")	8	71-6250-08	71-6250-08	71-6250-08
20	Air Chamber, Pro-Flo® R Drop-In	2	08-3694-01	08-3694-01	08-3694-01
21	Muffler 1"	1	15-3510-99R	15-3510-99R	15-3510-99R
	MUFFLER, BRONZE, 1/4" (Not Shown)	1	R04-3240-07	R04-3240-07	R04-3240-07
WETTED PATH COMPONENTS					
22	Liquid Chamber, Bolted	2	08-5017-01	08-5017-03	08-5017-03
23	Manifold, Discharge (NPT)	1	08-5072-01	08-5072-03	
	Manifold, Discharge (BSPT)	1	08-5073-01	08-5073-03	
	Manifold, Discharge (Flange, ANSI/DIN)	1			08-5074-03
24	Manifold, Inlet (NPT)	1	08-5102-01	08-5102-03	
	Manifold, Inlet (BSPT)	1	08-5103-01	08-5103-03	
	Manifold, Inlet (Flange, ANSI/DIN)	1			08-5104-03
25	Washer, Flat (Ø.531" x Ø1.062" x .095")	24	04-6730-08	04-6730-03	04-6730-03
26	Screw, HHC (1/2"-13 x 1-1/2")	24	04-6180-08	04-6180-03	04-6180-03
VALVE BALLS/VALVE SEATS/VALVE O-RINGS					
28	Ball, Valve	4	*	*	*
29	Seat, Valve	4	*	*	*
30	O-ring, Valve Seat (-339, Ø3.225 x Ø.210) Full/Reduced-Stroke PTFE Fitted	4	08-1204-55	08-1204-55	08-1204-55
FULL-STROKE RUBBER/TPE/COMPONENTS					
31	Shaft	1	08-3812-03	08-3812-03	08-3812-03
33	Piston, Inner (Non-PTFE)	2	08-3700-01	08-3700-01	08-3700-01
35	Diaphragm, Primary	2	*	*	*
36	Piston, Outer (Non-PTFE)	2	08-4550-01	08-4550-03	08-4550-03
FULL-STROKE PTFE COMPONENTS					
31	Shaft	1	08-3812-03	08-3812-03	08-3812-03
33	Piston, Inner (Non-PTFE)	2	08-3700-01	08-3700-01	08-3700-01
34	Diaphragm, Full Stroke PTFE Back-up	2	*	*	*
35	Diaphragm, Full Stroke PTFE Primary	2	08-1040-55-42	08-1040-55-42	08-1040-55-42
36	Piston, Outer (Non-PTFE)	2	08-4550-01	08-4550-03	08-4550-03
REDUCED-STROKE PTFE COMPONENTS					
31	Shaft, Pro-Flo™	1	08-3840-03	08-3840-03	08-3840-03
32	Shaft Stud, 1/2"-20 X 2-1/8"	2	08-6152-08	08-6152-08	08-6152-08
33	Piston, Inner, PTFE	2	08-3750-01	08-3750-01	08-3750-01
34	Diaphragm, Back-up	2	*	*	*
35	Diaphragm, Primary PTFE	2	08-1010-55-42	08-1010-55-42	08-1010-55-42
36	Piston, Outer, PTFE	2	08-4600-01	08-4600-03	08-4600-03

* See elastomer chart - Section 9

¹ Air Valve Assembly includes items 2 and 3.

² Metal Center Block Assembly includes item 10, 14 and 15.

All boldface items are primary wear parts.

SECTION 9

ELASTOMER OPTIONS

MATERIAL	DIAPHRAGMS	FULL STROKE DIAPHRAGMS	REDUCED-STROKE BACKUP DIAPHRAGMS	FULL-STROKE BACKUP DIAPHRAGMS	VALVE BALLS	VALVE SEATS
Neoprene	08-1010-51	N/A	08-1060-51	N/A	08-1080-51	08-1147-51
Buna-N®	08-1010-52	N/A	N/A	N/A	08-1080-52	08-1147-52
FKM	08-1010-53	N/A	N/A	N/A	08-1080-53	08-1147-53
EPDM	08-1010-54	N/A	08-1060-54	N/A	08-1080-54	08-1147-54
PTFE	08-1010-55-42	08-1040-55-42	N/A	N/A	08-1080-55	N/A
Wil-Flex™	08-1022-58	N/A	NA	NA	08-1080-58	08-1147-58
FDA Wil-Flex™	N/A	N/A	N/A	08-1065-57	N/A	N/A
Stainless Steel	N/A	N/A	N/A	N/A	N/A	08-1147-03
Aluminum	N/A	N/A	N/A	N/A	N/A	08-1147-01

Backup diaphragms used with PTFE diaphragms only.

TJPR860/TJPR870-04 REV. A

WILDEN®

PSG

No.2 Hai Tai Hua Ke Er Road
Huayuan Industry Park
Tianjin 300384, PR China
P: +86-400 600 4026
PSG-China@psgdover.com
www.psgdover.com.cn



Where Innovation Flows

